

Quiz Date: 24th April 2020

Direction (1-2): Read the following information carefully and answer the questions given below:

There are seven members S, T, U, V, W, X and Y in a family among them only 3 females. S is married to V. W is grandson of V who has two children. U is sister in law of Y who is unmarried. X is brother in law of S who is mother in law of U.

Q1. How X is related to Y?

- (a) Uncle
- (b) Brother
- (c) Mother
- (d) Sister
- (e) Grandson

Q2. Who among the following is the father of W?

- (a) U
- (b) T
- (c) X
- (d) Y
- (e) None of these

Directions (3-4): Study the following information to answer the given questions.

P is the brother of R. R has only one daughter. R is the mother of T. T is the sister of S. Q is the father of S. S is married to U. W is the son of U.

Q3. How is R related to U?

- (a) Cannot be determined
- (b) Sister-in-law
- (c) Mother
- (d) Aunt
- (e) Mother-in-law

Q4. How is S related to P?

- (a) Niece
- (b) Cannot be determined
- (c) Nephew
- (d) Son
- (e) Daughter

Q5. Pointing to a Man, Ramesh said "His only brother is the father of my daughter's father."

In this case, Ramesh is male. How is the Man related to Ramesh?

- (a) Uncle
- (b) Grandfather
- (c) Father
- (d) Brother

(e) None of these

Directions:(6-8) Study the following information carefully and answer the questions which follow-

'P - Q' means 'P is father of Q'

'P ÷ Q' means 'P is sister of Q'

'P × Q' means 'P is mother of Q'

'P + Q' means 'P is brother of Q'

Q6. Which of the following means 'A is nephew of B'?

(a) $A + C - B \times K$

(b) $B \div H - A + D$

(c) $B \div G - A \div R$

(d) $B + T \times A \div E$

(e) None of these

Q7. Which of the following means 'P is grandfather of J'?

(a) $J \div W - U - P$

(b) $P \times G + J \div A$

(c) $P - B \div J \div R$

(d) $P - T - J \div S$

(e) None of these

Q8. How is R related to B in the expression 'B ÷ C - S + R'?

(a) aunt

(b) niece

(c) nephew

(d) None of these

(e) Cannot be determined

Directions (9-10): Study the information carefully and answer the questions given below.

There are seven members in a family and there are two married couples in this family. P is father of M who is brother in law of K. N is daughter in law of Z who is grandmother of L. P has only two children one son and one daughter. X is sister in law of N. P is father in law of N. K is unmarried.

Q9. If K is wife of J then what could be the relation of J with respect to N?

(a) Brother

(b) Brother in law

(c) Uncle

(d) Cannot be determined

(e) None of these.

Q10. What is relation of L with respect to X?

- (a) Nephew
- (b) Niece
- (c) Son
- (d) Daughter
- (e) Cannot be determined

Direction (11-13): Study the following information carefully and answer the given questions:

A, B, C, D, E and F are six family members. There are three generation in a family and only three female members in a family. E is daughter in law of F, who has only one daughter. B is mother of D. B is not from second generation. A is grandson of F. C is a female but is not the mother of A. F is married to B.

Q11. How is A related to C?

- (a) Son
- (b) Daughter
- (c) Nephew
- (d) Niece
- (e) None of these

Q12. Who among the following is daughter of B?

- (a) E
- (b) A
- (c) D
- (d) C
- (e) None of these

Q13. How E is related to B?

- (a) Daughter-in-law
- (b) Daughter
- (c) Mother
- (d) Sister-in-law
- (e) none of these

Directions (14-15): Study the information carefully and answer the questions given below.

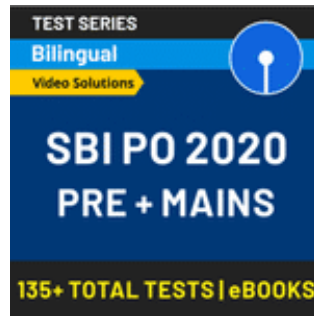
M, N, O, P, Q and R are six family members. Q is son of P, who is not the mother of Q. N is brother of P. R and P are a married couple. O is daughter of R, who is sister of M.

Q14. How many female members are there in the family?

- (a) Two
- (b) Three
- (c) Four
- (d) Can't be determined
- (e) None of these

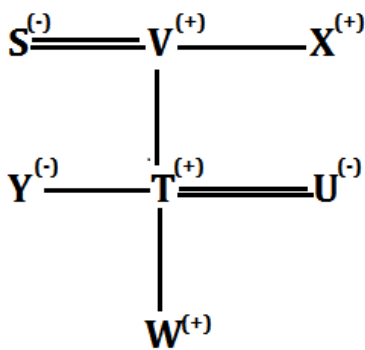
Q15. How is Q related to O?

- (a) Mother
- (b) Father
- (c) Sister
- (d) Brother
- (e) None of these



Solutions

Solutions (1-2):



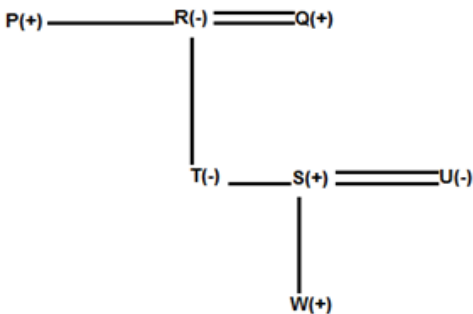
Sol.

S1. Ans.(a)

S2. Ans.(b)

Solutions (3-4):

Sol

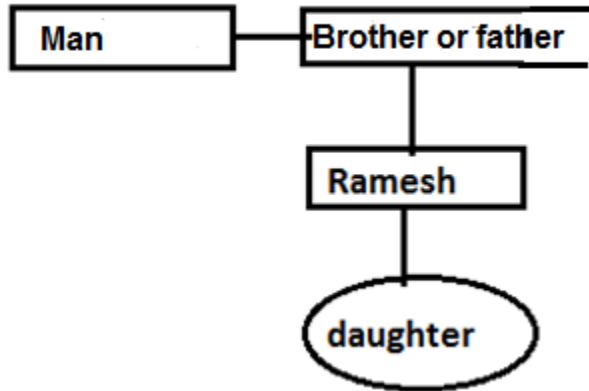


S3. Ans.(e)

S4. Ans.(c)

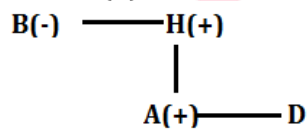
S5.Ans.(a)

Sol.

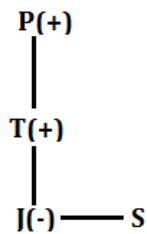


Solutions (6-8)

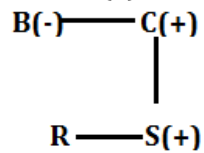
S6.Ans (b)



S7.Ans (d)



S8.Ans (e)

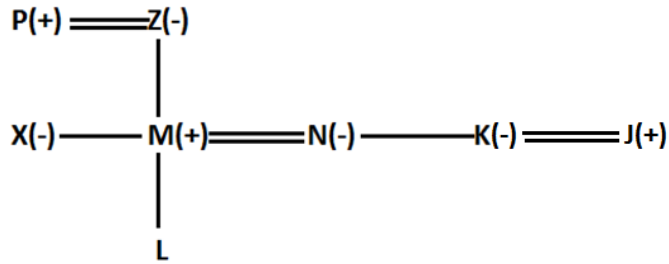


Solution(9-10):

S9. Ans.(b)

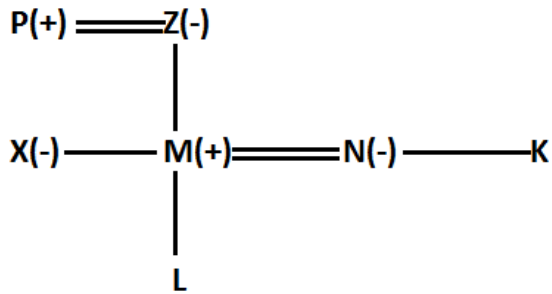
Sol.



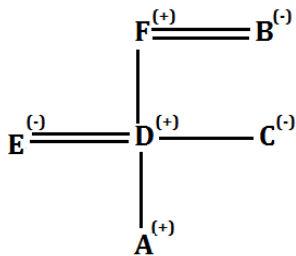


S10. Ans.(e)

Sol.



Solutions (11-13):



S11. Ans.(c)

S12. Ans.(d)

S13. Ans.(a)

Solution (14-15):

S14. Ans.(d)

S15. Ans.(d)





For any Banking/Insurance exam Assistance, Give a Missed call @ 01141183264



BANKERS

adda247