

Quiz Date: 2nd May 2020

Direction (1-5): **Study the following information carefully and answer the given questions.**

There are eight members in a family i.e. J, K, L, M, N, O, P and Q. There are four females and two married couples. O has one daughter and one son. P is son of K who is daughter of Q. O is father in law of J. M is niece of N who is brother in law of J. L is mother of M.

Q1. Who among the following is sister of N?

- (a) L
- (b) M
- (c) N
- (d) P
- (e) None of these

Q2. Which of the following is not true about L?

- (a) L is aunt of P
- (b) M is daughter L
- (c) L is sister of N
- (d) L is grandson of O
- (e) None of true

Q3. How O is related to son in law of Q?

- (a) Father
- (b) Daughter
- (c) Son
- (d) Sister in law
- (e) Wife

Q4. How K's sister in law is related to P's father?

- (a) Niece
- (b) Nephew
- (c) Son
- (d) Daughter
- (e) Sister

Q5. If Z is the wife of O. X is the son of K. How is Z related to X?

- (a) Grandfather
- (b) Grandmother
- (c) Brother in law
- (d) Cousin
- (e) Uncle

Direction (6-10): **Study the following information carefully and answer the given questions.**

There are nine members in three generation family i.e. J, T, U, C, M, Q, E, S, and G. Among them there are 3 married couples and only four females. J is paternal uncle of Q. U has only 2 children. S is daughter-in-law of M and M is son-in-law of T. C is married to M. E and G are sons of C. E is not married. T is father in law of S's father-in-law. T is married to U.

Q6. Who among the following person is father of Q?

- (a) T
- (b) U
- (c) G
- (d) S
- (e) M

Q7. How is G related to T?

- (a) Grandson
- (b) Daughter
- (c) Daughter in law
- (d) Sister
- (e) None of these

Q8. Which of the following is true about U?

- (a) U is aunt of Q
- (b) M is daughter of U
- (c) J is sister of U
- (d) S is grandson of U
- (e) None of true

Q9. How S is related to son in law of T?

- (a) Father
- (b) Daughter in law
- (c) Son
- (d) Sister in law
- (e) Wife

Q10. How M's sister in law is related to J?

- (a) Son in law
- (b) Nephew
- (c) Niece
- (d) Daughter in law
- (e) Sister in law

Direction (11-12): **Study the following information carefully and answer the given questions.**

There are six members in three generation family i.e. A, F, D, B, C, and G. Among them two married couple and only two males. G is mother in law of B. A, who is unmarried, and F are siblings. B's husband has only one child. D is father of F.

Q11. How is F related to C's grandmother?

- (a) Son
- (b) Father
- (c) Mother
- (d) Daughter
- (e) None of these

Q12. Who is daughter-in-law of A's father?

- (a) A
- (b) B
- (c) F
- (d) Cannot be determined
- (e) None of these

Q13. Pointing to a lady, Sumit says to his only son, "She is daughter in law of my mother's daughter in law". Sumit is the only Child of his parents. How is the lady related to Sumit?

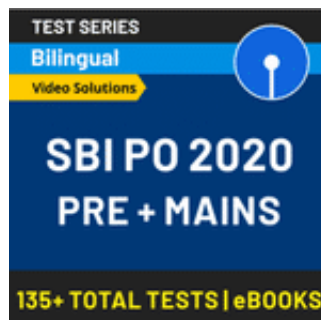
- (a) Sister
- (b) Brother
- (c) Daughter-in-law
- (d) Wife
- (e) Daughter

Q14. Showing a man on the stage, Lady said, "He is the only child of the person who is grandfather of my son. How is the man on stage related to lady?"

- (a) Husband
- (b) Brother in law
- (c) Brother
- (d) Sister
- (e) Nephew

Q15. A man says to a lady, "Your mother is the mother in law of my mother's only child." How is the lady related to the man?

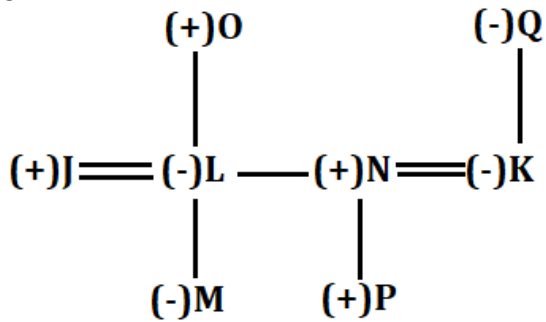
- (a) Sister-in-law
- (b) Aunt
- (c) Daughter
- (d) Wife
- (e) Granddaughter



Solutions

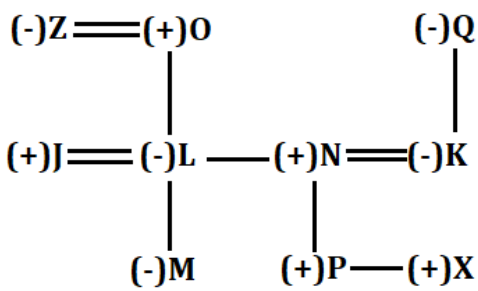
Solutions (1-5):

Sol.



- S1. Ans(a)
- S2. Ans(d)
- S3. Ans(a)
- S4. Ans(e)
- S5. Ans(b)

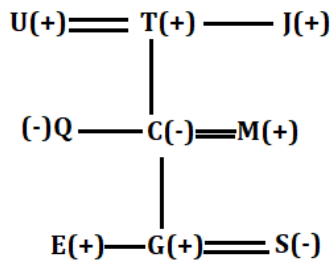
Sol.



Solutions (6-10):

Sol.





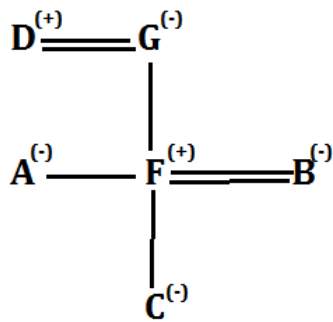
S6.Ans(a)

S7.Ans(a)

S8.Ans(e)

S9.Ans(b)

S10.Ans(c)

Solutions (11-12):**Sol.**

S11. Ans.(a)

S12. Ans.(b)

S13. Ans(c)

S14. Ans.(a)

S15. Ans(d)



For any Banking/Insurance exam Assistance, Give a Missed call @ 01141183264