

Quiz Date: 11th June 2020

Directions (1-5): Study the following information carefully and answer the questions given below:

Eight persons, A, B, C, D, E, F, G, and H are sitting in a straight line (but not necessarily in the same order). Three of them are facing south and rests are facing north direction. They all have their lucky numbers i.e. 12, 13, 37, 47, 52, 17, 25, and 18 (not necessarily in same order). F sits right of C. E's lucky number is a prime number. G and E face opposite direction. C's lucky number is average of E's lucky number and F's lucky number. B sits third from the extreme end of the row. H's lucky number is at least less than two numbers among all the given numbers. C doesn't face north direction. G is an immediate neighbor of C and E both. B faces south direction. B's lucky number is less than G's lucky number but greater than H's lucky number. D sits 2nd to the right of G. C sits immediate left of B. H sits 3rd right of C. The one, who sit at one of the extreme ends, has lucky number is a prime number. Both persons who sits at extreme ends face same direction. All the persons who sit left of D, those lucky numbers are less than the lucky number of D who face north. E's lucky number is greater than at least three numbers among all the given numbers. The one whose lucky number is 17 doesn't sit, immediate right of D and immediate left of F. H sits left of F. E's lucky number is not second highest. A's lucky number is a prime number.

Q1. Who among the following is second to the left of the one whose lucky number is 52?

- (a) The one whose lucky number is 13
- (b) Both (c) and (e)
- (c) G
- (d) None of these
- (e) The one whose lucky number is 18

Q2. What is the lucky number of C?

- (a) 12
- (b) 47
- (c) 37
- (d) 25
- (e) None of these

Q3. Who among the following sits third to the right of the one whose lucky number is 25?

- (a) B
- (b) C
- (c) A
- (d) H
- (e) None of these

Q4. What is the position of F with respect to the one whose lucky number is 37?

- (a) Second to the left
- (b) Third to the left
- (c) Second to the right
- (d) Fourth to the right

(e) None of these

Q5. C faces in which direction?

- (a) North
- (b) South
- (c) Same as D faces
- (d) Both (a) and (c)
- (e) Cannot be determined

Q6. Which alphabet is 3rd from the left in the meaningful four-letter word formed from the 1st, 2nd, 7th and 10th letter of the word PRODUCTION? If more than one word is formed, then mark answer as X and no meaningful word is formed then mark answer as Z.

- (a) P
- (b) Z
- (c) R
- (d) X
- (e) U

Q7. If all the vowels of the word 'VIOLENCE' are replaced by its succeeding letter according to the English alphabet and all the consonant are replaced with their previous letter according to the English alphabet and then all the letters are arranged in the alphabetical order the how many letter are there between the third letter from the left and third letter from the right in the English alphabetic series?

- (a) 5
- (b) 6
- (c) 2
- (d) 10
- (e) 4

Q8. If all the letters of each given words are arranged in alphabetical order within the words, then in how many words third and fifth letter remains on the same position as earlier?

- I. MBEKTYD
 - II. GPNAQUS
 - III. XCJRHO
- (a) Only I
 - (b) Only I and II
 - (c) All I, II and III
 - (d) Only II
 - (e) None

Q9. **Statement:** "You should be very careful so that the society does not adversely comment on the police leadership". – A statement made by a CBI officer to the newly recruited young officers.

Assumptions:

- (I) The society always indulge in adverse comments.

- (II) People's trust in the police force is not up to the desired level.
 (III) Society has the efficiency to judge accurately about the police leadership.
- (a) I and II
 (b) II and III
 (c) I and III
 (d) All of these
 (e) None of these

Q10. Statements: The High Court has ordered state X to submit the case papers of the hit-and-run accident involving actor Mr. Y and directed the police not to allow the actor or his family members and friends to meet witnesses or victims.

Assumptions:

- (I) The kith and kin of an accused are likely to make an effort to tamper with the evidence or create a nuisance to help acquit the accused.
 (II) The capacity of the wrongdoer cannot be a yardstick for deciding punishment for a crime.
 (III) The court's immediate concern is the grievance of the victims which needs redressal.
- (a) Only I
 (b) I and II
 (c) I and III
 (d) All of these
 (e) None of these

Direction (11-15): Study the following information carefully and answer the questions given below:

P@Q: It means that P is in East of Q

P#Q: It means that P is in West of Q

P\$Q: It means that P is in North of Q

P%Q: It means that P is in South of Q

P(7)\$Q means that P is 7m North of Q

P\$@Q means that P is in North-east of Q

Shubham and Akash are starting their journey from point V and U respectively and both reaches at point W as per the given information-

Shubham- R(13)#V, S(8)%R, T(5)@S, X(4)%T, Y(10)#X, W(15)\$Y

Akash- J(5)#U, K(11)\$J, L(11)@K, M(4)\$L, N(5)@M, W(10)%N

Q11. If point A(2)%R then, what is the direction and shortest distance of A with respect to U?

- (a) A(15)\$@U
 (b) A(16)@U
 (c) A(16)\$@U
 (d) A(15)@U
 (e) None of these

Q12. Which of the following is true?

- (a) M\$@X

- (b) U%@N
- (c) U#R
- (d) J%#V
- (e) None is true

Q13. If B(5)@L and C(8)#W are true then, what is the shortest distance between B and C?

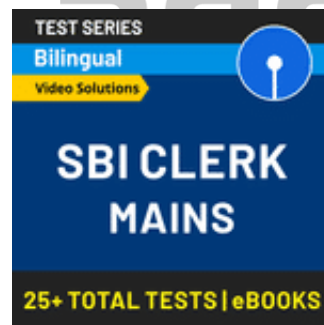
- (a) 5m
- (b) 10m
- (c) 15m
- (d) 20m
- (e) None of these

Q14. U is in which direction with respect to V?

- (a) North-East
- (b) South-West
- (c) South West
- (d) West
- (e) None of these

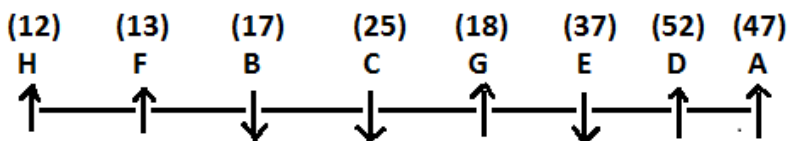
Q15. What is the direction of T with respect to M?

- (a) North-East
- (b) South-West
- (c) North West
- (d) South-East
- (e) None of these



Solutions

Solutions (1-5):



Sol.

S1. Ans.(b)

S2. Ans.(d)

S3. Ans.(d)

S4. Ans.(d)

S5. Ans.(b)

S6. Ans.(b)

S7. Ans.(b)

Sol. Original Word- VIOLENCE

Obtained word- U J P K F M B F

After arrangement- B F F J K M P U

S8. Ans.(d)

Sol. I. MBEKTYD - BDEKMTY

II. GPNAQUS - AGNPQSU

III. XCJRHO - CHJORX

Solution (9-10):

S9. Ans.(e)

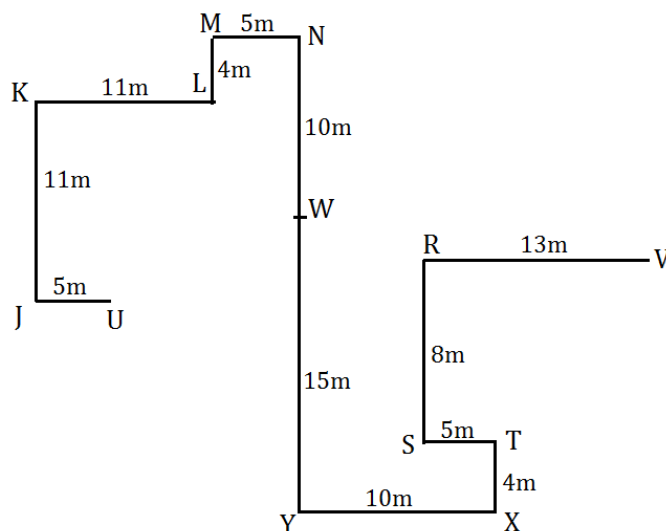
Suggestion or direction to young officers by the officer is aimed at making the new recruits aware of their responsibilities. Assumption I can't be co related with the above statement.

Assumption II is an assumption; this is what leads to adverse comments. Assumption III is not implicit.

S10. Ans.(a) Only assumption I is implicit. III is not implicit because the reason behind this decision is that the witnesses or victims can't be felt any problem regarding the case. They can be pressurized by the accused to change their witnesses. The decision is not given because of the court's immediate concern for the victims.

Solutions (11-15):

Sol.



- S11. Ans. (b)
- S12. Ans. (d)
- S13. Ans. (b)
- S14. Ans. (c)
- S15. Ans.(d)



For any Banking/Insurance exam Assistance, Give a Missed call @ 0114118326

