

Quiz Date: 25th July 2020

Direction (1-4): Study the following information carefully and answer the questions given below:

In a family of eight people, there are three generations and two married couples. R is brother of Z, who is the grandchild of X. X is married to P. L is the father of Z. P is father in law of U. L is brother of Y and K. K is aunt of Z. Y is unmarried.

Q1. How is Y related to Z?

- (a) Aunt
- (b) Mother
- (c) Father
- (d) Uncle
- (e) can't be determined

Q2. How is P related to K?

- (a) Grandfather
- (b) Father in law
- (c) Father
- (d) Mother
- (e) None of these

Q3. If Y is sister of K then how is Y related to U?

- (a) Father
- (b) Sister in law
- (c) Father in law
- (d) Mother in law
- (e) None of these

Q4. How is Z related to P?

- (a) Grandson
- (b) Both
- (c) Granddaughter
- (d) Either (a) or (c)
- (e) None of these

Direction (5-6): Study the following information carefully and answer the given questions.

There are six members in three generation family i.e. A, F, D, B, C, and G. Among them two are married couple and only two are male members. G is mother in law of B. A, who is unmarried and F are siblings. B's husband has only one child. D is father of F.

Q5. How is F related to C's grandmother?

- (a) Son
- (b) Father
- (c) Mother

BANKERS

adda247

- (d) Daughter
- (e) None of these

Q6. Who is daughter-in-law of A's father?

- (a) A
- (b) B
- (c) F
- (d) Cannot be determined
- (e) None of these

Directions (7-9): Read the following information carefully and answer the following questions.

There are eight members A, B, C, D, E, F, G and H of the same family. F, D and E are the only females' members. D, who is married to B, is the mother of E. Both H and C, are E's maternal uncle. A is the only child of G and has three kids. All the females belong to different generations. F has only one child.

Q7. How is A related to E?

- (a) Maternal Grandfather
- (b) Sister
- (c) Mother
- (d) Grandmother
- (e) None of these

Q8. How many persons are older than A's son in law, if it is given that E is the only unmarried female and F is the oldest member in the family?

- (a) Three
- (b) Two
- (c) One
- (d) More than three
- (e) Cannot be determined

Q9. How is F related to C?

- (a) Mother in law
- (b) Daughter
- (c) Grandmother
- (d) Grandfather
- (e) Cannot be determined

Direction (10-12): In the following questions, the symbols #, &, @, *, \$, % and © are used with the following meanings as illustrated below. Study the following information and answer the given questions:

P@Q- P is the child of Q

P©Q- P is the parent of Q

P%Q- P is father-in-law of Q

P&Q- P is brother-in-law of Q

P\$Q- P is brother of Q

P*Q- P is wife of Q

Q10. If the expression 'A%D@E@G\$H' is true, then how H is related to E?

- (a) Uncle
- (b) Brother
- (c) Aunt
- (d) Grandmother
- (e) Can't be determine

Q11. Which of the following expression shows 'F is aunt of H'?

- (a) E @H@C%F@G
- (b) E@H@C\$F*G
- (c) F@E*C@H\$G
- (d) G\$H@C*F&E
- (e) None of these

Q12. If the expression 'L*T@R\$Q*S@N' is true, then which of the following is false?

- (a) S is husband of Q
- (b) R is sister-in-law of S
- (c) T is father of Q
- (d) T is father-in-law of S
- (e) L is mother of Q

BANKERS

Directions (13-15): Each of these questions is based on the following information:

There are seven persons in a family. There are two married couples and three generation in this family. Q is daughter in law of T. U is grandmother of S. V is sister in law of T and has no siblings. P has two children R and S. U and V are siblings. Q has no son.

Q13. How is V related to P?

- (a) Sister
- (b) Mother
- (c) Maternal Aunt
- (d) Paternal aunt
- (e) None of these

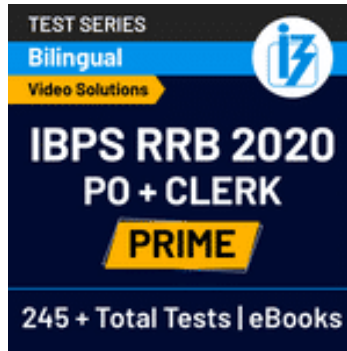
Q14. Who among the following is son of V's brother in law?

- (a) S
- (b) R
- (c) P
- (d) Q
- (e) None of these

Q15. How is R related to P's mother?

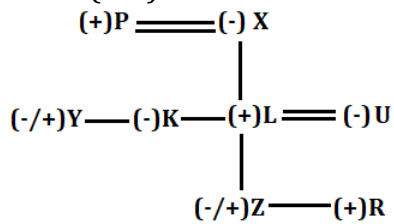
- (a) Grandson
- (b) Granddaughter
- (c) Son

- (d) Daughter
- (e) None of these



Solutions

Solutions (1-4):

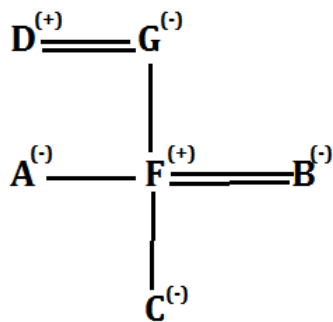


Sol.

- S1. Ans. (e)
- S2. Ans. (c)
- S3. Ans. (b)
- S4. Ans. (d)

Solutions (5-6):

Sol.

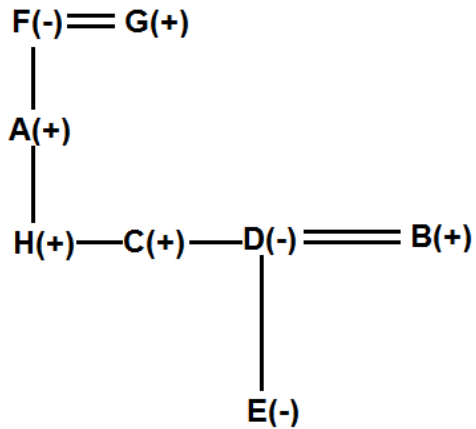


- S5. Ans.(a)
- S6. Ans.(b)

Solutions (7-9):

Sol.





S7. Ans.(a)

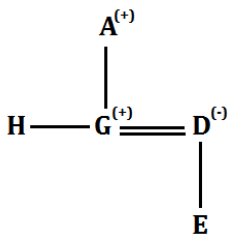
S8. Ans.(e)

S9. Ans.(c)

Solutions (10-12):

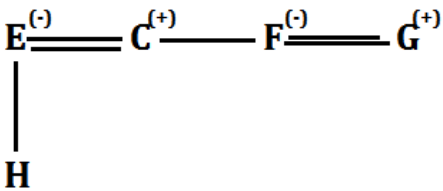
S10. Ans.(e)

Sol.



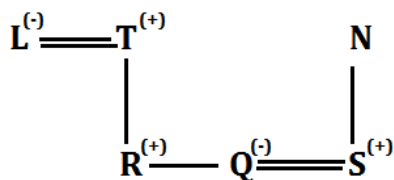
Q11. Ans.(b)

Sol.



Q12. Ans.(b)

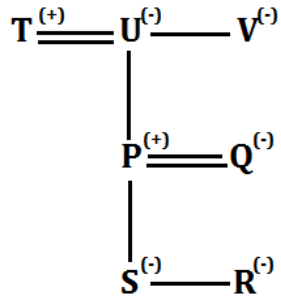
Sol.



Solutions (13-15):

Sol.





S13. Ans.(c)

S14. Ans.(c)

S15. Ans.(b)



For any Banking/Insurance exam Assistance, Give a Missed call @ 01141183264



BANKERS
adda247