

Quiz Date: 6th September 2020

Directions (1-5): Study the information carefully and answer the questions given below.

Eight persons J, K, L, M, N, O, P and Q are sitting in a circular table. Each of them like different colour i.e. Blue, Black, Orange, Yellow, Green, Pink, White and Grey. All of them face towards center. All information is not necessarily in same order.

The one who likes black colour sit opposite to M, who sits third to the right of K. The one who likes blue colour sit opposite to the one who likes Grey colour. The person who likes Green is immediate neighbor of the persons who like Yellow and white colour. P sits immediate right of N. Neither P nor N are immediate neighbor of the one who like black colour. J likes orange and two persons sit between J and N when counted left of N. M does not like white, yellow and pink colour. One person sits between K and the one who likes Yellow colour. Q sits third to the left of O. L does not like Blue.

Q1. Who among the following sits second to the right of N?

- (a) Q
- (b) The one who likes Grey colour
- (c) L
- (d) The one who likes Green colour
- (e) None of these

Q2. Who among the following sit opposite to the one who sits 2nd left of person who likes pink colour?

- (a) J
- (b) K
- (c) O
- (d) Q
- (e) None of these

Q3. Who among the following faces Q?

- (a) K
- (b) J
- (c) M
- (d) P
- (e) O

Q4. How many persons sits between L and K when counted in clockwise direction with respect to L?

- (a) One
- (b) Three
- (c) Four
- (d) Two
- (e) No one

Q5. If O is related to the person who likes blue colour and K is related to the person who likes Yellow colour, then P is related to whom among the following?

- (a) The one who likes Black colour
- (b) The one who likes Grey colour
- (c) The one who likes Green colour
- (d) The one who likes White colour
- (e) None of these

Directions (6-7): Read the given information carefully and answer the given question.

Point E is 10m to the east of Point G. Point H is 5m to the north of Point G. Point D is 5m to the west of Point H. Point C is 8m to the south of Point D. Point F is 11m to the east of Point C. Point K is 6m to the north of Point F.

Q6. How far and in which direction is Point K with respect to Point E?

- (a) 5m south-east
- (b) 8m, west
- (c) 5m, north-west
- (d) 8m, south-east
- (e) 6m, south

Q7. If point K is 2m to the south of point P, then what is the distance between P and D?

- (a) 11m
- (b) 8m
- (c) 15m
- (d) 5m
- (e) 9m

Q8. In an exam P, Q, R, S and T scored different marks. P scored more than only T, R is lower than only Q. Who got the third rank?

- (a) P
- (b) Q
- (c) R
- (d) S
- (e) T

Q9. Ankit ranked 23th from the bottom and 19th from the top among those who passed an exam. Five boys did not participate in the exam and 27 failed in it. How many boys were there in the class?

- (a) 60
- (b) 74
- (c) 73
- (d) 70
- (e) 69

Q10. Among G, H, I, J and K, each one of them is of different weights, J is heavier than G who is lighter than only two persons. H is heavier than K and lighter than I. Who among them is the heaviest?

- (a) I
- (b) J
- (c) G
- (d) K
- (e) Can't be determined

Q11. Which of the following elements should come in a place '?' ?

CX2 FU3 JQ5 OL7 ?

- (a) TG11
- (b) UF11
- (c) GH7
- (d) VE9
- (e) None of these

Q12. How many pairs of letters are there in the word "JOURNALISM" each of which have as many letters between them in the word as they have between them in the English alphabetical series?

- (a) One
- (b) None
- (c) Three
- (d) Two
- (e) More than Three

Q13. Which alphabet is 3rd from the left in the meaningful four-letter word formed from the first, fourth, seventh and ninth letter of the word PRODUCTION? If more than one word is formed, then mark answer as X and no meaningful word is formed then mark answer as Z.

- (a) T
- (b) X
- (c) P
- (d) Z
- (e) I

Q14. If in the number 58716243, 1 is subtracted to each prime number digit and 1 is added to each non-prime digit, then how many even number digits are formed in the new number?

- (a) One
- (b) Three
- (c) Two
- (d) None
- (e) Four

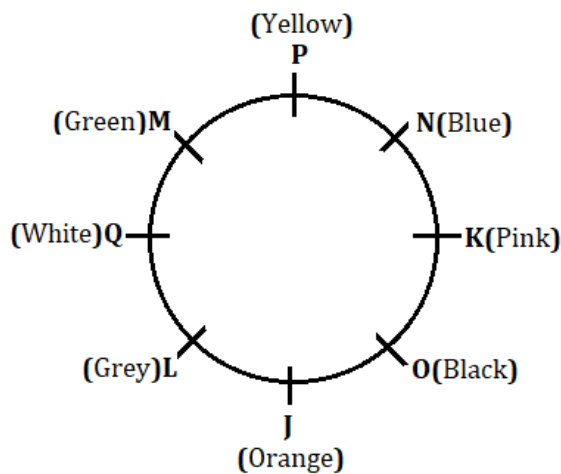
Q15. If all the vowels of the word 'RESOURCE' are replaced by its succeeding letter according to the English alphabet and all the consonant are replaced with their previous letter according to the English alphabet and then all the letters are arranged in the alphabetical order, then how many letter are there between the third letter from the left end and third letter from the right end in the English alphabetic series?

- (a) 8
- (b) 5
- (c) 11
- (d) 12
- (e) 10



Solutions

Solutions (1-5):
Sol.

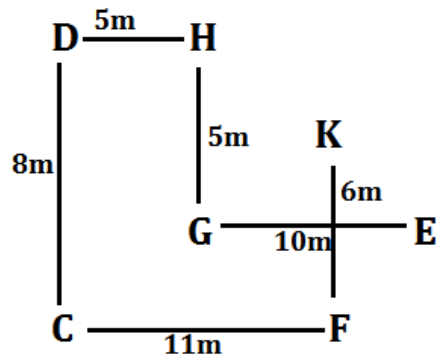


- S1.Ans(d)
- S2.Ans(e)
- S3.Ans(a)
- S4.Ans(c)
- S5.Ans(d)

Solution (6-7):

Bankers
adda247

Sol.



S6. Ans.(c)

S7. Ans.(a)

S8. Ans.(d)

Sol. $Q > R > S > P > T$

S9. Ans(c)

Number of boys who passed = $(23 + 19 - 1) = 41$ \therefore Total number of boys in the class = $(41 + 5 + 27) = 73$

S10. Ans.(e)

Sol. $I/J > J/I > G > H > K$

S11. Ans.(b)

S12. Ans.(c)

Sol.

JOURNALISM

S13. Ans.(d)

S14. Ans.(e)

Sol. Given number- 58716243

Obtained number- 49627152

S15. Ans.(e)

Sol. Given Word- RESOURCE

Obtained Word- QFRPVQBF

After arrangement- BFFPQQRV

BANKERS

adda247



For any Banking/Insurance exam Assistance, Give a Missed call @ 01141183264



BANKERS

adda247