

Quiz Date: 5th October 2020

Directions (1-5): Study the following information and answer the given questions:

Eight family members A, B, C, D, E, F, G, and H live on 8 different floors of a building, lowermost floor is numbered as 1 and topmost floor is numbered as 8. There are only 3 female members and 3 generation in a family. There is only three persons live between B's son and B's wife. F is daughter-in-law of A and has only two children. There is only three persons live between A's brother-in-law and F. H doesn't live above A. D, who lives on odd numbered floor, lives below H but not lives above F. Aunt of E lives above E's floor. G lives on odd numbered floor but not on 5th floor. A is a wife of H's brother. C doesn't live just below G's uncle. B, who is not from 2nd generation, has one daughter. F lives just below B's son. H and E live on even numbered floor. D is not a female member. C doesn't live just above A and just below A's Daughter in law. G is married

Q1. Who among the following is a son of B?

- (a) D
- (b) E
- (c) G
- (d) C
- (e) None of these

Q2. Who amongst the following lives on floor number 3?

- (a) B's son
- (b) D
- (c) None of these
- (d) B's wife
- (e) E

Q3. C lives on which of the following floor?

- (a) 4th floor
- (b) 6th floor
- (c) 5th floor
- (d) None of these
- (e) 8th floor

Q4. Who among the following is/are a son of G?

- (a) E
- (b) C
- (c) None of these
- (d) Both (a) and (e)
- (e) D

Q5. How many people live between the floors on which D and B live?

- (a) None
- (b) Two
- (c) One

- (d) More than three
(e) Three

Directions (6-8): Read the following information carefully and answer the given questions. There are six friends, each of them has different height. Height of the tallest person is 189 cm. A is taller than only B. F is shorter than only two people. C is not the tallest. E is neither taller than D nor shorter than C. The difference between the height of third shortest and the tallest person is 9. E is taller than F. F height is an odd number.

Q6. How many persons are taller than C?

- (a) Four
(b) Three
(c) Two
(d) One
(e) None of these

Q7. Which of the following statement is true if height of B is 176 cm?

- (a) The difference between the height of C and B is 4 cm.
(b) Height of F is 155 cm.
(c) Height of A is 154 cm.
(d) The difference between the height of D and B is 10 cm.
(e) None is true

Q8. What could be the possible height of E?

- (a) 182 cm
(b) 156 cm
(c) 170 cm
(d) 198 cm
(e) 159 cm

Q9. Which of the following symbols should replace the sign (@) and (%) respectively in the given expression in order to make the expression $X < U$ and $R \geq S$ definitely true?

$P \geq X < Q \leq T @ U = R \geq V \% S$

- (a) $\leq, >$
(b) \leq, \leq
(c) $>, \leq$
(d) $=, \geq$
(e) $\geq, <$

Q10. Which of the following will be definitely true if the given expression 'A ≥ D > C = B ≥ G < E = F ≤ K' is definitely true?

- (a) $A \geq G$
(b) $C < E$
(c) $K > G$
(d) $D \geq F$
(e) $B = D$

Directions (11-13): Each of the following questions below consists of a question and two statements numbered I and II given below it. You have to decide whether the data provided in the statements are sufficient to answer the question. Read both the statements and give answer.

- (a) If the data in statement I alone are sufficient to answer the question, while the data in statement II alone are not sufficient to answer the question.
- (b) If the data in statement II alone are sufficient to answer the question, while the data in statement I alone are not sufficient to answer the question.
- (c) If the data in either statement I alone or in statement II alone are sufficient to answer the question.
- (d) If the data in both the statements I and II together are not sufficient to answer the question.
- (e) If the data in both the statements I and II are together necessary to answer the question.

Q11. In which month of the year did Raman go abroad for a vacation?

- I. Raman correctly remembers that he went for a vacation in the first half of the year.
- II. Raman's son correctly remembers that they went for a vacation after 31st March but before 1st May.

Q12. On which day of the same week is Rudra's exam scheduled (Monday being the first day of the week)?

- I. Rudra correctly remembers that his exam is scheduled on a day after Tuesday, but before Thursday of the same week.
- II. Rudra's father correctly remembers that Rudra's exam is scheduled on the third day of the week.

Q13. How many marks has Sujit scored in the test?

- I. Sujit scored two-digit marks. Her marks were less than or equal to 20.
- II. Sujit scored more than 9 marks in the test.

Directions (14-15): In each of the questions below are given some statements followed by some conclusions. You have to take the given statements to be true even if they seem to be at variance with commonly known facts. Read all the conclusions and then decide which of the given conclusions logically follows from the given statements, disregarding commonly known facts. Give answer

Q14. Statements:

Only a few exam are score.

All marks are exam

No good are score.

Conclusions:

I. Some exam are good

II. All exam is score is a possibility

III. Some good is marks is a possibility

(a) Both II and III follows

- (b) Either I or II follows
 (c) Only III follows
 (d) Only II follows
 (e) None of these

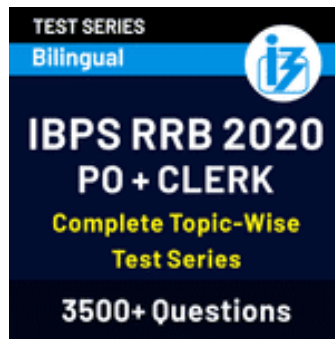
Q15. Statements:

Only purple are black
 Some purple are yellow.
 All White is Yellow.

Conclusions:

- I. Some Black is Yellow
 II. All white is purple is a possibility
 III. All purple is yellow is a possibility

- (a) Only I follow
 (b) Only II follows
 (c) Only III follows
 (d) Either I or III follows
 (e) None of the above



BANKERS

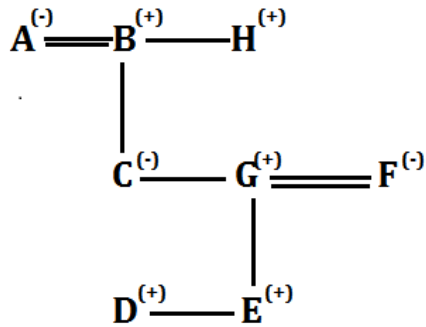
adda247

Solutions

Solutions (1-5):

Sol.

Floor	Persons
8	C
7	G
6	F
5	B
4	E
3	A
2	H
1	D



- S1. Ans. (c)
- S2. Ans. (d)
- S3. Ans. (e)
- S4. Ans. (d)
- S5. Ans. (e)

Solutions (6-8):

Sol. $D (189) > E > F > C (180) > A > B$

- S6. Ans. (b)
- S7. Ans. (a)
- S8. Ans. (a)

S9. Ans. (d)

S10. Ans. (c)

Solutions (11-13):

S11. Ans. (b)

Sol. From II statement - Raman's son correctly remembers that his father went on vacation after 31st March but before 1st May. So, his father went on vacation in the month of April.

S12. Ans. (c)

Sol. From I: The possible day of exam is Wednesday.

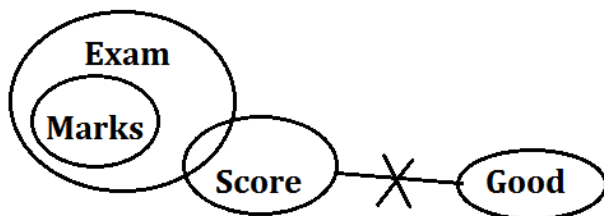
From II: The third day of the week is Wednesday.

Hence, either statement I alone or statement II alone is sufficient.

S13. Ans. (d)

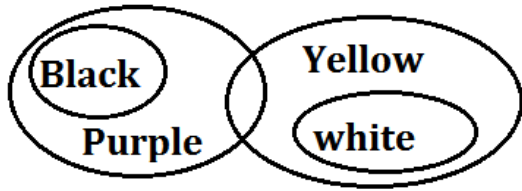
S14. Ans. (c)

Sol.



S15. Ans. (b)

Sol.



For any Banking/Insurance exam Assistance, Give a Missed call @ 01141183264



BANKERS
adda247