

LIC AAO Previous Year Paper 2023

Directions (1-5): Study the following information carefully and answer the questions given below:

Ten persons-A, B, C, D, E, F, G, H, I and J work in a company in three departments – HR, Marketing and Sales but not necessarily in the same order. Different number of persons works in each department.

A works with E but not in sales department. C doesn't work with E. B works with neither E nor C. F neither works in marketing nor HR department. H works with F but not with B. G works with J but not with H and B. D doesn't work with J and I. Only in marketing department even number of persons works.

Q1. How many persons work in HR department?

- (a) Three
- (b) One
- (c) Seven
- (d) Five
- (e) Can't be determined

Q2. In which among the following department does D work?

- (a) HR
- (b) Sales
- (c) Marketing
- (d) Either HR or Sales
- (e) Either Sales or Marketing

Q3. Four of the following five are alike in a certain way and thus form a group. Who among the following does not belong to the group?

- (a) A
- (b) C
- (c) I
- (d) G
- (e) J

Q4. Which among the following statement(s) is/are true?

I. The sum of the persons works in Sales and Marketing department is 5

II. C works in sales department

III. A and B work in the same department

- (a) Both I and II
- (b) Both II and III
- (c) Only I
- (d) Both I and III
- (e) Only III



BANK MAHAPACK
for all Bank & Insurance Exams
Selection Ka Saathi

Q5. If the monthly salary of each person works in Sales department is Rs. 45000 and the monthly salary of each person works in Marketing department is Rs 35000 then find the sum of the salary of C, B and H?

- (a) Rs 135000
- (b) Rs 110000
- (c) Rs 125000
- (d) Rs 155000
- (e) Rs 126000

Q6. If in the given word "NEUROPATHY" all the letters which comes before Q in the alphabetical series are changed to their immediate succeeding letter and all the letters which comes after Q in the alphabetical series are changed to their immediately preceding letter. Then all the repeated letters are eliminated and the remaining letters are arranged in alphabetical order from left to right then find the letter which is 4th from the right end in the word thus formed?

- (a) S
- (b) P
- (c) I
- (d) B
- (e) T

Directions (7-10): Study the following information carefully to answer the given questions:

Six persons are arranged according to their height in descending order from left to right.

At most two persons shorter to D who is shorter to the one whose height is 140cm. Height of the persons taller to B is in odd number. D is taller to A but shorter to C. B is shorter to C who is not the tallest among all. The one who is just shorter to D is 15cm shorter to B. E is shorter to both F and A.

Q7. How many persons in between A and C?

- (a) Two
- (b) Three
- (c) One
- (d) Either one or three
- (e) Four

Q8. What may be the possible height of D?

- (a) 144cm
- (b) 127cm
- (c) 123cm
- (d) 111cm
- (e) 147cm

Q9. The numbers of persons shorter to C is twice to the numbers of persons taller to ____.

- (a) A
- (b) D
- (c) B
- (d) E
- (e) None of these

Q10. How many persons taller to F?

- (a) Three
- (b) More than four
- (c) One
- (d) None
- (e) Two

Directions (11-13): In each of the questions below, some statements are given followed by two conclusions. You have to take the given statements to be true even if they seem to be at variance with commonly known facts. Read all the conclusions and then decide which of the given conclusions logically follows from the given statements disregarding commonly known facts.

Q11. Statements:

Only a few old is new
All new is next
Some next is brand

Conclusions:

- I. All old can never be new
 - II. Some brand being old is a possibility
- (a) If only I follows
 - (b) If only II follows
 - (c) If neither I nor II follows
 - (d) If both I and II follow
 - (e) If either I or II follows

Q12. Statements:

All rock is resist
Only a few resist is red
Some red is not real

Conclusions:

- I. All resist being red is a possibility
 - II. No real being rock is a possibility
- (a) If only I follows
 - (b) If only II follows
 - (c) If neither I nor II follows
 - (d) If both I and II follow
 - (e) If either I or II follows

Q13. Statements:

Only a few skirt is jeans

No jeans is shirt

All dress is shirt

Conclusions:

I. Some dress is not jeans

II. No skirt is shirt

(a) If only I follows

(b) If only II follows

(c) If neither I nor II follows

(d) If both I and II follow

(e) If either I or II follows

Directions (14-18): Study the following information carefully to answer the given questions:

Eight persons viz. P, Q, R, S, T, U, V and W sit around a square table but not necessarily in the same order. Four persons sit at each corner face outside while rest four sit in the each of the middle side and face inside.

R sits 3rd to the right of T. One person sits between R and U who does not sit near T. Both S and V face each other. V sits immediate left of Q. P and S are not an immediate neighbour.

Q14. How many persons sit between U and W when counted to the left of U?

(a) Four

(b) One

(c) Two

(d) Three

(e) None

Q15. Which of the following pair of persons face outside?

(a) T, W

(b) R, S

(c) U, Q

(d) P, Q

(e) None of these

Q16. What is the position of S with respect to Q?

(a) 5th to the left

(b) 3rd to the left

(c) 4th to the right

(d) 2nd to the left

(e) None of these

Q17. Four of the following five are alike in a certain way and hence form a group. Who of the following does not belong to that group?

- (a) U
- (b) R
- (c) W
- (d) Q
- (e) S

Q18. Which of the following statement is true?

I. Q does not sit in the middle of the side

II. P and V are immediate neighbour

III. S sits immediate right of U

- (a) Only III
- (b) Both II and III
- (c) Only I
- (d) Both I and II
- (e) All I, II and III

Q19. If we form a four-letter meaningful word by using the first, third, fifth and eighth letter from the left end of the word 'PROGRAMMING', then which of the following will be the second left letter of the meaningful word thus formed. If more than one word is formed mark Z as your answer. If no meaningful word is formed, mark X as your answer?

- (a) R
- (b) P
- (c) O
- (d) X
- (e) Z

Directions (20-22): Study the following information carefully and answer the questions given below:

R is son-in-law of Q who has only two children. S is maternal uncle of U who is the only son of R. V is the grand child of P who is the mother of S. T is parent of V. S has no child.

Q20. How P is related to T?

- (a) Sister
- (b) Niece
- (c) Mother
- (d) Mother-in-law
- (e) Sister-in-law

Q21. Four of the following five are alike in a certain way and thus form a group. Who among the following does not belong to the group?

- (a) Q
- (b) T
- (c) S
- (d) U
- (e) R

Q22. If K is son-in-law of T then how K is related to U?

- (a) Brother
- (b) Father
- (c) Uncle
- (d) Brother-in-law
- (e) Nephew

Directions (23-27): Study the following information carefully and answer the questions given below:

A certain number of persons sit in a row and all of them face north direction. Two persons sit between P and Q. U sits fifth to the left of Q. The number of persons sit between U and Q is one more than the number of persons sit between Q and M. M sits to the right of P. R sits exactly between Q and M but not adjacent to P. T sits fourth to the right of R. The number of persons sits between M and T is same as between N and T. N is the only neighbor of K. The number of persons sit to the right of K is three less than the number of persons sits to the left of U. One person sits between Q and L.

Q23. How many persons sit in the row?

- (a) 17
- (b) 19
- (c) 18
- (d) 22
- (e) 21

Q24. What is the position of K with respect to T?

- (a) Third to the left
- (b) Third to the right
- (c) Second to the left
- (d) Fifth to the right
- (e) Fourth to the left

Q25. Which among the following statement is not true?

- (a) U sits fourth from one of the ends
- (b) K sits at the extreme end
- (c) T sits to the right of P
- (d) More than seven persons sit between P and M
- (e) All are true

Q26. How many persons sit between U and T?

- (a) Nine
- (b) Eight
- (c) Six
- (d) Seven
- (e) Ten

Q27. If Z sits third to the left of U then who among the following sits sixth to the right of Z?

- (a) L
- (b) P
- (c) Q
- (d) R
- (e) M

Directions (28-30): Study the following information carefully to answer the given questions:

Point K is in 180m west of point H which is 150m south of point F. Point E is in 100m north of point K. Point E is in 220m east of point L. Point L is in 50m south of point G. Point C is in 250m east of point G. Point D is in 70m north of point C.

Q28. What is the total distance from point E to point C?

- (a) 420m
- (b) 523m
- (c) 520m
- (d) 470m
- (e) 370m

Q29. In which direction is point G with respect to point F?

- (a) South-east
- (b) North
- (c) South-west
- (d) West
- (e) North-east

Q30. Four of the following five are alike in a certain way and hence form a group. Which of the following does not belong to that group?

- (a) L-K
- (b) C-H
- (c) G-E
- (d) D-F
- (e) L-C

Directions (31-35): Study the following information carefully to answer the given questions:

Nine boxes from P to X are arranged one above the other but not necessarily in the same order. Three boxes are placed between box S and box T. Two boxes are placed between box T and box X. Box W is placed two boxes below box S. The numbers of boxes are placed between box T and box W one more than the numbers of boxes are placed between box X and box P. Box Q is placed just above the box V. More than four boxes placed between box R and box U. Box R does not placed adjacent to W.

Q31. How many boxes are placed below the box X?

- (a) One
- (b) Four
- (c) Two
- (d) Three
- (e) More than four

Q32. If all the boxes are placed in alphabetical order from top to bottom, then the position of how many boxes remain unchanged (excluding P)?

- (a) One
- (b) Four
- (c) Two
- (d) Three
- (e) None

Q33. The numbers of boxes are placed between the box S and the box Q is half than the numbers of boxes are placed between box U and the box ____.

- (a) R
- (b) T
- (c) P
- (d) V
- (e) None of these

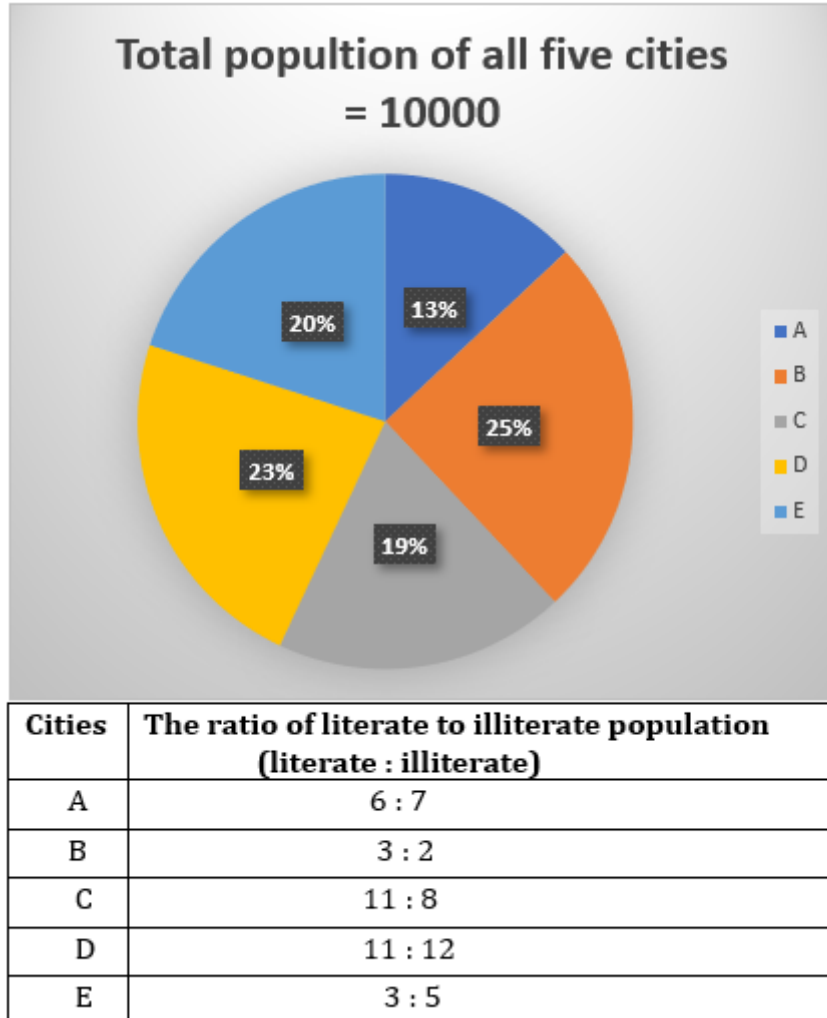
Q34. How many boxes are placed between box R and box S?

- (a) One
- (b) Four
- (c) Two
- (d) Three
- (e) More than four

Q35. Box ____ placed three boxes above the box ____ respectively.

- (a) V, U
- (b) P, R
- (c) X, T
- (d) Q, X
- (e) T, U

Directions (36-40): The pie chart given below shows distribution of population (literate + illiterate) in five different cities and table shows the ratio of literate to illiterate population in these cities. Read the data carefully and answer the questions.



Q36. In city F, total literate population is 20% more than that of in city E and total illiterate population is 25% more than total illiterate population in city C. Find total population of city F.

- (a) 1900
- (b) 1800
- (c) 1750
- (d) 2000
- (e) 2100

Q37. Total illiterate population in city D is what percent more than total illiterate population in city B.

- (a) 25%
- (b) 20%
- (c) 10%
- (d) 30%
- (e) 5%

Q38. Find the average of literate population in cities A and D together.

- (a) 650
- (b) 750
- (c) 850
- (d) 950
- (e) 800

Q39. If the ratio of male to female in total literate and illiterate population of city B is 8 : 7 & 7 : 3, then find the difference between total literate and illiterate male in city B.

- (a) 250
- (b) 200
- (c) 50
- (d) 100
- (e) 150

Q40. Find the ratio of literate population of city C and D together to total literate population of city B.

- (a) 19 : 15
- (b) 22 : 17
- (c) 22 : 13
- (d) 15 : 22
- (e) 22 : 15

Q41. A boat takes 12 hours to cover $(D + 30)$ km in upstream and it takes 8 hours to cover D km in downstream. If speed of stream is 4 km/hr, then find the time (in hours) taken by boat to cover $(D - 64)$ km in upstream.

- (a) 8
- (b) 10
- (c) 7.5
- (d) 6
- (e) 10.5

Q42. A man invested Rs. x in scheme A on simple interest at the rate 20% p.a. for three years and he invested Rs. $(x+3000)$ in scheme B on simple interest at the rate 20% p.a. for two years. If interest received by man from scheme B is Rs. 400 more than that of from scheme A, then find the value of x (in Rs.).

- (a) 2000
- (b) 4000
- (c) 6000
- (d) 8000
- (e) 3000

Q43. The present age of A is 40% less than B and the present age of B is 25% less than C. Four years hence, the sum of age of B and C will be 78 years. Find the present age (in years) of A.

- (a) 28
- (b) 12
- (c) 18
- (d) 24
- (e) 20

Q44. A, B and C entered into a business and invested in the ratio of 5 : 4 : 6 respectively. After four months, B and C left the business. At the end of a years, the total profit is Rs. 2500. Find the profit share of A.

- (a) 1000 Rs,
- (b) 1800 Rs.
- (c) 1200 Rs.
- (d) 1500 Rs.
- (e) 900 Rs.

Q45. Length and breadth of a rectangular park is 300 m & 200 m respectively. If a 10 m wide path is constructed outside the park, then find the area (in m²) of the path.

- (a) 12400
- (b) 1040
- (c) 11400
- (d) 8400
- (e) 10400

Q46. A vessel contains mixture of milk and water. The quantity of milk is 6 liters more than water in the vessel and the ratio of milk to water in the vessel is 3 : 2. If 50% mixture is taken out from the vessel, then find the quantity of milk remaining in the final mixture.

- (a) 9
- (b) 12
- (c) 6
- (d) 7.5
- (e) 3

Q47. A and B together read 88 pages in 11 hours and efficiency of B is 40% less than A. If A, B and C together can read 150 pages in 10 hours, then find B and C together can read 120 pages in how many hours.

- (a) 10 hours
- (b) 12 hours
- (c) 8 hours
- (d) 15 hours
- (e) 16 hours

Q48. A 600 meters long train crosses its two times long bridge in 90 seconds and the same train crosses another train which is moving in opposite direction in 36 seconds. If the speed of second train is 6 km/hr more than first train, then find the length of second train.

- (a) 720 meters
- (b) 640 meters
- (c) 750 meters
- (d) 840 meters
- (e) 900 meters

Q49. Pipe A can fill $\frac{200}{3}$ % of a tank in 20 minutes and pipe A & B together can fill 50% of the same tank in 12 minutes. Find pipe B can fill what part of the tank in 15 minutes.

- (a) $\frac{1}{3}$ rd
- (b) $\frac{2}{3}$ rd
- (c) None of these
- (d) $\frac{1}{4}$ th
- (e) $\frac{3}{4}$ th

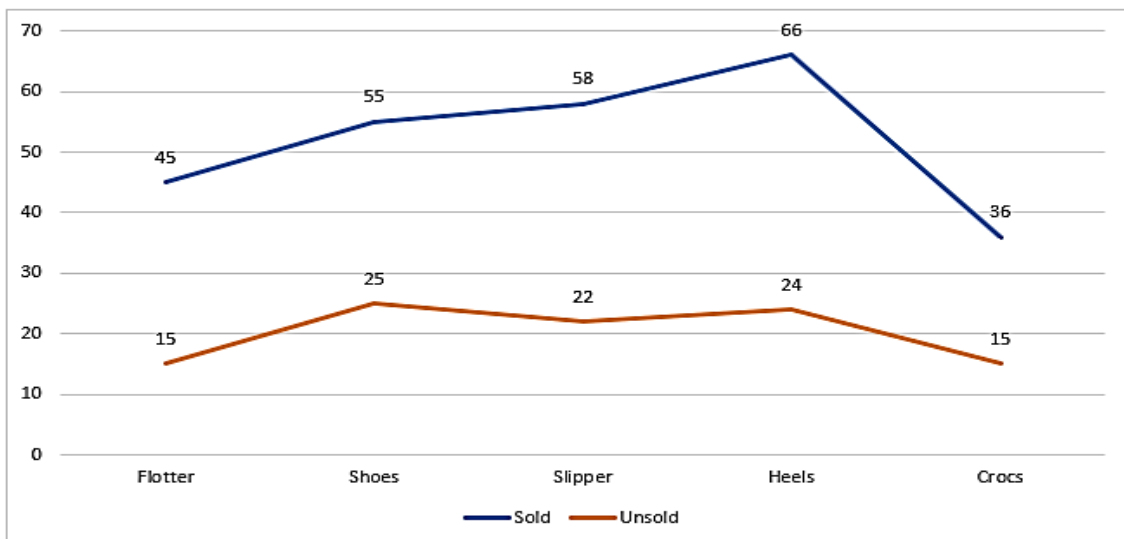
Q50. The cost price of article A is Rs 600 more than that of article B and selling price of A is Rs 1200 more than that of B. If difference between profit earned on selling these two articles is $\frac{40}{3}$ %

of the cost price of A and profit received by shopkeeper on A is $\frac{100}{3}$ %, then find profit earned on article B.

- (a) Rs 800
- (b) Rs 900
- (c) Rs 840
- (d) Rs 960
- (e) Rs 1000

Directions (51-55): The line graph give below shows the distribution of five (Flotter, Shoes, Slipper, Heels, and Crocs) different items sold and unsold by a shop. Read the following Data carefully and answer the given questions.

Note: Total manufactured each item = Sold items + Unsold items



Q51. Find the total number of manufactured Slippers and Heels together?

- (a) 145
- (b) 170
- (c) 165
- (d) 185
- (e) 200

Q52. Find the average number of total items sold by the shop?

- (a) 55
- (b) 49
- (c) 52
- (d) 54
- (e) 59

Q53. Find the number of unsold Crocs is what percent of the number of Shoes sold?

- (a) $27\frac{5}{11}\%$
- (b) $28\frac{3}{11}\%$
- (c) $27\frac{3}{11}\%$
- (d) $30\frac{5}{11}\%$
- (e) $29\frac{6}{11}\%$

Q54. If the selling price of one Crocs is Rs. 700, then find the revenue generated by the shop by selling Crocs?

- (a) Rs. 25200
- (b) Rs. 35200
- (c) Rs. 20200
- (d) Rs. 20000
- (e) Rs. 15200

Q55. Find the ratio of sold Slippers and shoes together to the unsold Flotter and heels together?

- (a) 113 :23
- (b) 111 :43
- (c) 114 :29
- (d) 113 :39
- (e) 110 :39

Directions (56-61): What approximate value will come in place of question mark (?) in the following questions, (You are not expected to calculate the exact value)

Q56. $?^2 = 59.96\% \text{ of } 899 + 14.89\% \text{ of } 1020 - \frac{7}{8} \text{ of } 288.02$

- (a) 16
- (b) 12
- (c) 7
- (d) 21
- (e) 25

Q57. $\frac{79.88\% \text{ of } 540 - 16.04^2}{7.88 \times 1.978} + 34.812 = ?$

- (a) 42
- (b) 32
- (c) 28
- (d) 54
- (e) 46

Q58. $\sqrt{1444.145} + 24.02^2 = ? - 4.02 \times 5.22$

- (a) 622
- (b) 602
- (c) 678
- (d) 634
- (e) 692

Q59. $(11.15 \times 24.98 + 2.89 + 4.89) - 19.22 \times 49.88 = ?$

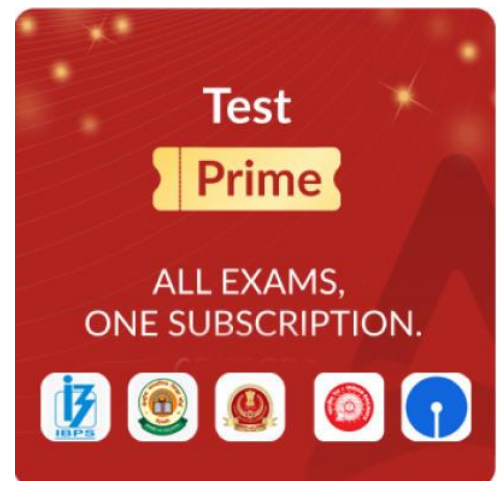
- (a) -645
- (b) -604
- (c) -630
- (d) -692
- (e) -667

Q60. $1239.99 \div 7.87 - 29.98 \times 34.97 + 8.97^2 = ?$

- (a) -814
- (b) -832
- (c) -856
- (d) -878
- (e) -890


Q61. $14.022^2 + 9.02^3 = ? \times 24.88 + 200.12$

- (a) 17
- (b) 29
- (c) 21
- (d) 46
- (e) 4



Test Prime

ALL EXAMS,
ONE SUBSCRIPTION.



Q62. X is a series of three consecutive even numbers and Y is a series of three consecutive odd numbers. If ratio of second lowest number of X to that of Y is 2 : 3 and sum of highest number of both series is 29, then find difference between lowest number of both series.

- (a) 5
- (b) 3
- (c) 7
- (d) 2
- (e) 1

Q63. The monthly income of A is Rs.25000, out of which he saves 28%. If his expenditure decreases by 35% and his income remains the same, then find the ratio of his new savings to old savings.

- (a) 8:5
- (b) 19:10
- (c) 12:7
- (d) 17:9
- (e) 15:8

Q64. The average speed of a car is $\frac{7}{5}$ times of the average speed of a scooter. A truck covers 240 km in 5 hours. If the speed of the scooter is $\frac{3}{2}$ times of the speed of truck, then the car will cover how much distance in 2 hours.

- (a) 204.8 km
- (b) 201.6 km
- (c) 118.5 km
- (d) 250.4 km
- (e) 196.2 km

Directions (65-70): Find the wrong number in following number series.

Q65. 400, 689, 1050, 1579, 2306, 3381, 4750

- (a) 2306
- (b) 689
- (c) 4750
- (d) 3381
- (e) 400

Q66. 6, 6, 18, 36, 144, 720, 4320

- (a) 144
- (b) 18
- (c) 4320
- (d) 720
- (e) 36

Q67. 42, 47, 57, 72, 92, 115, 147

- (a) 42
- (b) 47
- (c) 115
- (d) 92
- (e) 147

Q68. 14, 22, 49, 113, 236, 454, 797

- (a) 14
- (b) 797
- (c) 49
- (d) 236
- (e) 22

Q69. 24, 49, 99, 199, 398, 799, 1599

- (a) 199
- (b) 1599
- (c) 49
- (d) 24
- (e) 398

Q70. 5, 8, 13, 20, 31, 45, 61

- (a) 45
- (b) 61
- (c) 8
- (d) 5
- (e) 20

Directions (71-80): Read the given passage and answer the following questions.

Agriculture is an industry that has been revolutionized by the application of artificial intelligence (AI). AI has the potential to transform the way we grow crops, manage livestock, and produce food. By using AI-powered technologies like **precision** agriculture, farmers can increase yields, reduce waste, and make more informed decisions. Machine learning algorithms can analyze data from sensors, drones, and other sources to identify patterns and make predictions about crop health and yield. AI-powered robots and drones can also perform tasks such as planting, harvesting, and monitoring crop growth, freeing up human labor and improving efficiency. Overall, the integration of AI in agriculture has the potential to improve the sustainability, productivity, and profitability of the industry, while also reducing the environmental impact of farming practices.

One of the **pressing** challenges that the agriculture industry faces is the need to produce more food to feed a growing global population while also reducing the environmental impact of farming. AI can help address these challenges by enabling more efficient and sustainable farming practices. For example, AI can help farmers optimize their use of resources like water, fertilizer, and pesticides, reducing waste and minimizing environmental impact. AI-powered tools can also help farmers make more informed decisions about when and where to plant crops and how to manage them throughout the growing season. Another area where AI is having a significant impact on agriculture is in the development of new crop varieties. With the help of machine learning algorithms, researchers can analyze massive amounts of genomic data to identify genes that are associated with desirable traits like drought tolerance, disease resistance, and increased yields.

Overall, the use of AI in **modern** agriculture is still in its early stages, and there is a lot of room for growth and innovation. As the technology continues to advance and become more widely adopted, it has the potential to transform the way we produce and consume food, making agriculture more sustainable, efficient, and productive. AI is also being used to improve supply chain management in the agriculture industry. By analyzing data on factors like weather, transportation, and consumer demand, AI-powered systems can help optimize the distribution of food products from farm to table. This can help reduce waste, increase efficiency, and ensure that fresh and high-quality food products are **accessible** to consumers. As the technology continues to evolve and become more widely adopted, it will be exciting to see the ways in which it can help improve sustainability, productivity, and efficiency in agriculture.

Q71. How do machine learning algorithms help improve crop yields in agriculture?

- (a) They allow for more precise and data-driven decision-making for improved productivity.
- (b) They help enable farmers to make more informed decisions about when to plant and harvest.
- (c) They improve farmers' decisions on how to manage crops throughout the growing season.
- (d) They improve crop yields by analyzing large amounts of data collected from various sources.
- (e) All of these

Q72. How can AI help farmers optimize their use of resources like water, fertilizer, and pesticides?

- (a) By analyzing machine learning algorithms to predict the market rate of growing crops for sale.
- (b) By providing data-driven insights based on real-time analysis of environmental and crop data.
- (c) By informing farmers about when to irrigate and fertilize crops and when to apply pesticides.
- (d) Only (b) and (c)
- (e) By replacing the judgement and experience of farmers in complying with government regulations.

Q73. What is precision agriculture and how can it benefit farmers?

- (i) It is an approach to farming that uses technology to optimize crop production and reduce waste.
 - (ii) It can cause farmers to increase labor costs by automating tasks like planting and monitoring crops.
 - (iii) It can improve crop yields and quality by providing real-time data on crop health and growth.
- (a) Both (i) and (ii)
 - (b) Only (iii)
 - (c) Both (ii) and (iii)
 - (d) All of these
 - (e) Only (i) and (iii)

Q74. What role does AI play in the development of new crop varieties?

- (a) AI can help researchers analyze massive amounts of genomic data related to crop varieties.
- (b) The use of AI in crop breeding can help increase the development of new crop varieties.
- (c) AI can make complex interactions between genes and the environment prone to diseases.
- (d) Both (a) and (b)
- (e) Only (b) and (c)

Q75. Choose the most appropriate antonym of the word “pressing”, as highlighted in the given passage.

- (a) critical
- (b) pivotal
- (c) drastic
- (d) trivial
- (e) imperative

Q76. Choose the most appropriate synonym of the word “accessible”, as highlighted in the given passage.

- (a) desperate
- (b) obscure
- (c) convenient
- (d) dubious
- (e) vague

Q77. Choose the most appropriate synonym of the word “modern”, as highlighted in the given passage.

- (a) bygone
- (b) advanced
- (c) tedious
- (d) ridiculous
- (e) primitive

Q78. What are some of the potential benefits of integrating AI in agriculture?

- (a) AI can help farmers reduce waste and minimize environmental impact.
- (b) AI can help optimize the distribution leading to better supply chain management.
- (c) AI-powered robots and drones can reduce labor costs by automating tasks.
- (d) All of these
- (e) Only (a) and (c)

Q79. How can the use of AI in agriculture help improve food safety and security?

- (a) Ensuring the safe and timely delivery of fresh and high-quality food products to consumers.
- (b) Increasing the use of resources like fertilizer and pesticides to improve the quality of the products.
- (c) Identifying the source of contamination in the event of a food safety issue and minimizing its impact.
- (d) Both (a) and (b)
- (e) Only (a) and (c)

Q80. What does the term "precision" stand for, as highlighted in the first paragraph?

- (a) to succeed in obtaining (something).
- (b) diminish gradually in size, amount, or strength.
- (c) the quality, condition, or fact of being exact and accurate.
- (d) agree by lease, deed, or other legal contract.
- (e) to lose momentum, will, or desire.

Directions (81-85): In each of the given questions, a sentence is given with four words highlighted, one of which may contain a spelling error. Mark from the options corresponding the question the one which represents the incorrectly spelt word. Mark option (E) if there are no spelling errors.

Q81. The girl **dishonoured** her family as all her **sibblings** had **graduated** from **college** and she couldn't.

- (a) dishonoured
- (b) sibblings
- (c) graduated
- (d) college
- (e) No spelling errors

Q82. As a way of offering **congratulations** to the man, his new **employees** brought him **presents**.

- (a) congratulations
- (b) employees
- (c) brought
- (d) presents
- (e) No spelling errors

Q83. The **protective** attorney **declined** to **disclose** his client's **current** location.

- (a) protective
- (b) declined
- (c) disclose
- (d) current
- (e) No spelling errors

Q84. The **instructor** **praised** the **photogrephy** skills of the new **intern**.

- (a) instructor
- (b) praised
- (c) photogrephy
- (d) intern
- (e) No spelling errors

Q85. Because of **resent** **budget** cuts, the government will cut down on many **social** **subsidies**.

- (a) resent
- (b) budget
- (c) social
- (d) subsidies
- (e) No spelling errors

Directions (86-90): In the passage six coherent sentences are given, which are not arranged in meaningful order. Rearrange these sentences in the correct order to answer the following questions.

- (A) As renewable energy production requires land, water, and labor, it imposes costs on people and the environment
- (B) But renewables need to be further scrutinized before being championed as forging a path toward a low-carbon future.
- (C) Furthermore, even if renewable energy can be produced in small-scale, such an approach might not generate the high returns on capital.
- (D) In a low-carbon world, renewable energy technologies are hot business.
- (E) Every impact of renewable energy must be examined to ensure that a climate-smart future does not intensify social and environmental harm.
- (F) For investors looking to redirect funds, wind turbines and solar panels, seem a straightforward choice.

Q86. Which of the following sentences is the third statement of the rearrangement?

- (a) A
- (b) B
- (c) C
- (d) F
- (e) E

Q87. Which of the following sentences is the first statement of the rearrangement?

- (a) B
- (b) A
- (c) D
- (d) E
- (e) F

Q88. Which of the following sentences is the fifth statement of the rearrangement?

- (a) A
- (b) B
- (c) C
- (d) F
- (e) E

Q89. Which of the following sentences is the second statement of the rearrangement?

- (a) E
- (b) D
- (c) A
- (d) C
- (e) F

Q90. Which of the following sentences is the last statement of the rearrangement?

- (a) A
- (b) B
- (c) C
- (d) F
- (e) E

Directions (91-95): Each of the given questions contains a sentence with one blank. Choose from the following options the word that can be most appropriately used to complete the sentence grammatically and contextually.

Q91. As it _____ back and forth, the spastic train car appeared to be close to derailing.

- (a) lurched
- (b) alerted
- (c) collected
- (d) detected
- (e) pretended

Q92. Because of the school's behavioural problems, the principal is unlikely to _____ a school dance competition this year.

- (a) present
- (b) obey
- (c) sanction
- (d) nod
- (e) label

Q93. In today's world, many people _____ money and power constitute happiness.

- (a) intend
- (b) believe
- (c) exist
- (d) include
- (e) muddle

Q94. The king was _____ of his adviser's motive for wanting to declare war.

- (a) brave
- (b) cynical
- (c) honourable
- (d) irritable
- (e) jumbled

Q95. If you want to feel better about yourself, you need to _____ your self-esteem.

- (a) succeed
- (b) mark
- (c) separate
- (d) bolster
- (e) scatter

Directions (96-100): Each question is divided into four parts in which one part contains the error. Choose the incorrect part as your answer. If the sentence is correct as it is, choose “No Error” as your answer choice.

Q96. It is him who (A)/ must take the responsibility (B)/ of completing the task (C)/within the given deadline (D)/ No error (E).

- (a) A
- (b) B
- (c) C
- (d) D
- (e) No Error

Q97. In the current scenario (A)/ solar energy is expected to (B)/ become increasing attractive as (C)/ a renewable energy source (D). / No error (E)

- (a) A
- (b) B
- (c) C
- (d) D
- (e) No Error

Q98. Although urban areas are (A)/ usually more polluted than (B)/the countryside, but pollution can (C)/ spread to remote places (D). / No error (E)

- (a) A
- (b) B
- (c) C
- (d) D
- (e) No Error

Q99. Construction incurs most (A)/ occupational fatalities than (B)/ any other sector (C)/throughout the world (D). / No error (E)

- (a) A
- (b) B
- (c) C
- (d) D
- (e) No Error

Q100. Pigments that (A)/ are responsible for the colour (B)/ of plants are carotenoids that (C)/ plays a key role in their health (D). / No error (E)

- (a) A
- (b) B
- (c) C
- (d) D
- (e) No Error

Solutions

S1. Ans.(d)

Sol.

HR	Sales	Marketing
A, E, G, I, J	C, F, H	B, D

S2. Ans.(c)

Sol.

HR	Sales	Marketing
A, E, G, I, J	C, F, H	B, D

S3. Ans.(b)

Sol.

HR	Sales	Marketing
A, E, G, I, J	C, F, H	B, D

S4. Ans.(a)

Sol.

HR	Sales	Marketing
A, E, G, I, J	C, F, H	B, D

S5. Ans.(c)

Sol.

HR	Sales	Marketing
A, E, G, I, J	C, F, H	B, D

S6. Ans.(b)

Sol. Given word- NEUROPATHY

After rearrangement- OFTQPQBSIX

Alphabetical order- BFIOPSTX

S7. Ans.(a)

Sol.

$$\frac{F}{\text{---}} > \frac{C}{\text{---}} > \frac{B}{140\text{cm}} > \frac{D}{\text{---}} > \frac{A}{125\text{cm}} > \frac{E}{\text{---}}$$

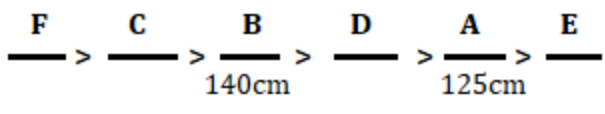
S8. Ans.(b)

Sol.

$$\frac{F}{\text{---}} > \frac{C}{\text{---}} > \frac{B}{140\text{cm}} > \frac{D}{\text{---}} > \frac{A}{125\text{cm}} > \frac{E}{\text{---}}$$

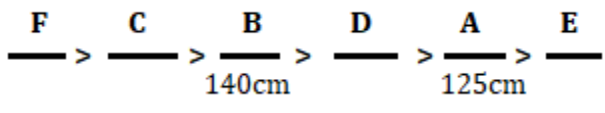
S9. Ans.(c)

Sol.



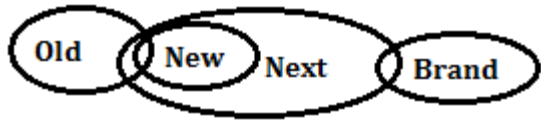
S10. Ans.(d)

Sol.



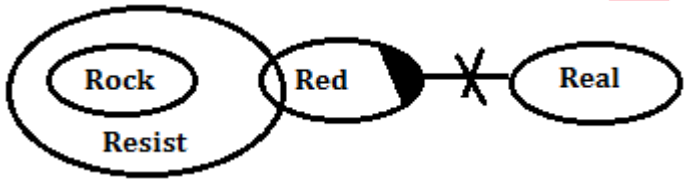
S11. Ans.(d)

Sol.



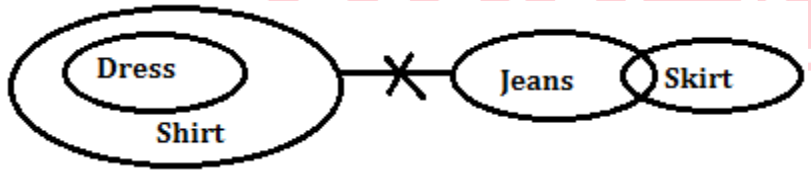
S12. Ans.(b)

Sol.



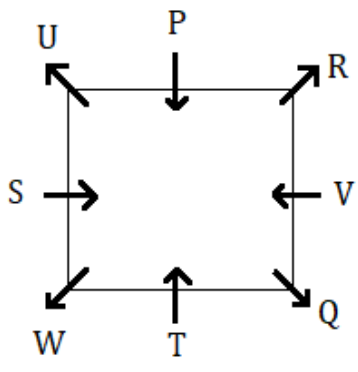
S13. Ans.(a)

Sol.



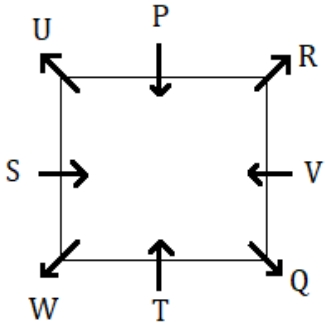
S14. Ans.(b)

Sol.



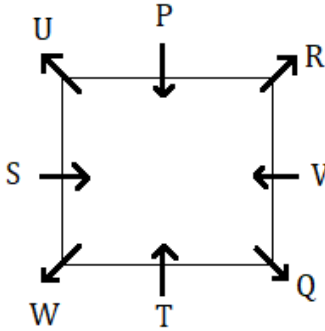
S15. Ans.(c)

Sol.



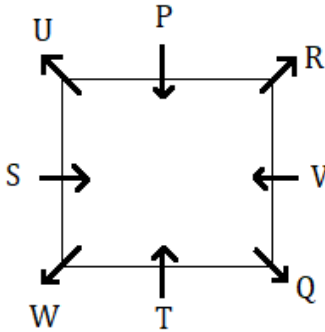
S16. Ans.(a)

Sol.



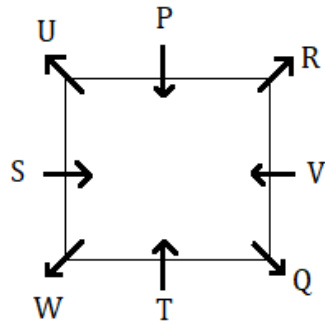
S17. Ans.(e)

Sol.



S18. Ans.(c)

Sol.



S19. Ans.(c)

Sol. Meaningful word - ROMP

S20. Ans.(c)

Sol.

(-) P = Q(+)

|

S(+)-T(-)=R(+)

|

U(+)-V(-)



S21. Ans.(b)

Sol.

(-) P = Q(+)

|

S(+)-T(-)=R(+)

|

U(+)-V(-)

S22. Ans.(d)

Sol.

(-) P = Q(+)

|

S(+)-T(-)=R(+)

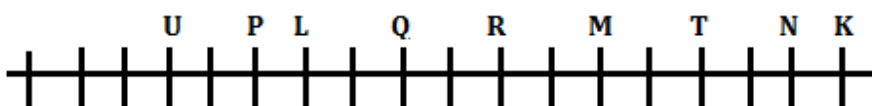
|

U(+)-V(-)



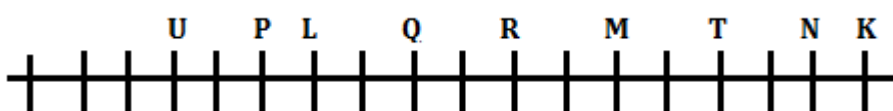
S23. Ans.(c)

Sol.



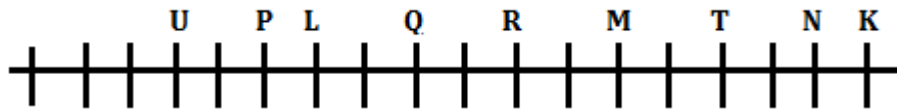
S24. Ans.(b)

Sol.



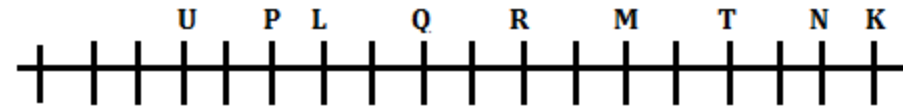
S25. Ans.(d)

Sol.



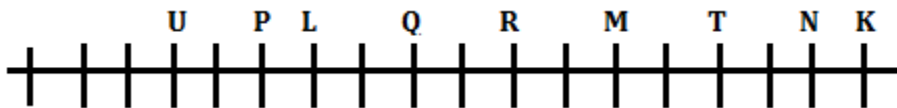
S26. Ans.(e)

Sol.



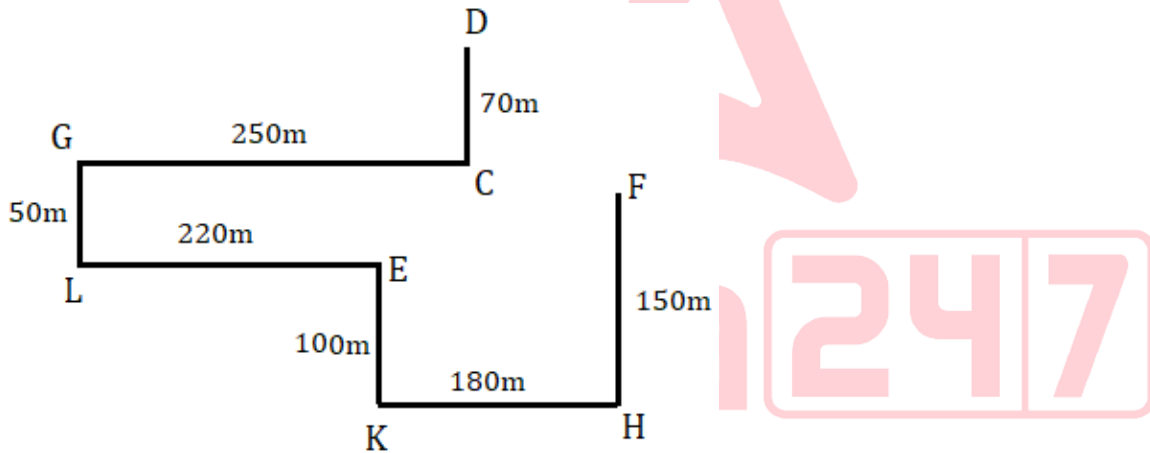
S27. Ans.(a)

Sol.



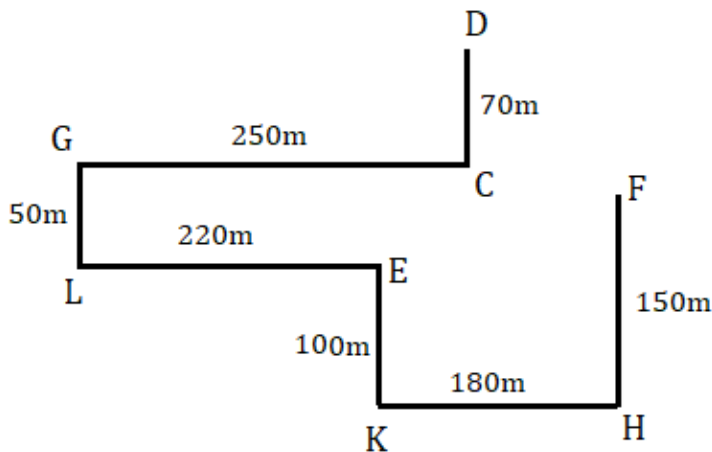
S28. Ans.(c)

Sol.



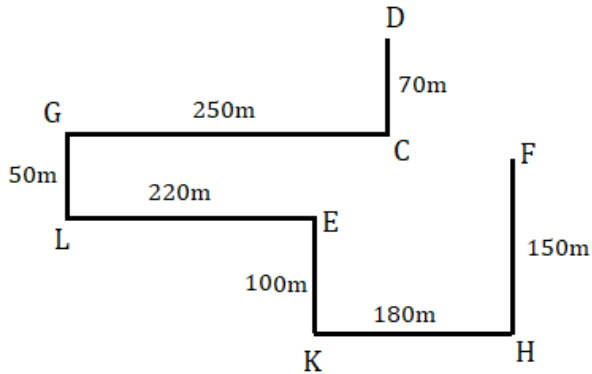
S29. Ans.(d)

Sol.



S30. Ans.(e)

Sol.



S31. Ans.(d)

Sol.

Boxes
P
R
T
Q
V
X
S
U
W

S32. Ans.(e)

Sol.

Boxes
P
R
T
Q
V
X
S
U
W

S33. Ans.(b)

Sol.

Boxes
P
R
T
Q
V
X
S
U
W

S34. Ans.(b)

Sol.

Boxes
P
R
T
Q
V
X
S
U
W

S35. Ans.(a)

Sol.

Boxes
P
R
T
Q
V
X
S
U
W

S36. Ans.(a)

Sol.

$$\text{Total literate population in F} = 10000 \times \frac{20}{100} \times \frac{3}{8} \times \frac{120}{100} = 900$$

$$\text{Total illiterate population in F} = 10000 \times \frac{19}{100} \times \frac{8}{19} \times \frac{125}{100} = 1000$$

$$\text{Total population of city F} = (900+1000) = 1900$$

S37. Ans.(b)

Sol.

$$\text{Total illiterate population in city D} = 10000 \times \frac{23}{100} \times \frac{12}{23} = 1200$$

$$\text{Total illiterate population in city B} = 10000 \times \frac{25}{100} \times \frac{2}{5} = 1000$$

$$\text{Required percentage} = \frac{1200-1000}{1000} \times 100 = 20\%$$

S38. Ans.(c)

Sol.

Total literate population in A and D

$$= 10000 \times \frac{13}{100} \times \frac{6}{13} + 10000 \times \frac{23}{100} \times \frac{11}{23}$$

$$= 600 + 1100 = 1700$$

$$\text{Required average} = \frac{1700}{2} = 850$$

S39. Ans.(d)

Sol.

$$\text{Total literate male in city B} = 10000 \times \frac{25}{100} \times \frac{3}{5} \times \frac{8}{15} = 800$$

$$\text{Total illiterate male in city B} = 10000 \times \frac{25}{100} \times \frac{2}{5} \times \frac{7}{10} = 700$$

$$\text{Required difference} = 800 - 700 = 100$$

S40. Ans.(e)

Sol.

Total literate population of city C and D

$$= 10000 \times \frac{19}{100} \times \frac{11}{19} + 10000 \times \frac{23}{100} \times \frac{11}{23}$$

$$= 1100 + 1100$$

$$= 2200$$

$$\text{Total literate population of city B} = 10000 \times \frac{25}{100} \times \frac{3}{5} = 1500$$

$$\text{Required ratio} = 2200 : 1500 = 22 : 15$$

S41. Ans.(a)

Sol.

Let speed of boat in still water be x km/hr

$$\frac{D+30}{(x-4)} = 12$$

$$12x - 48 = D + 30$$

$$x = \frac{D+78}{12} \text{ ----- (i)}$$

$$\text{Also, } \frac{D}{(x+4)} = 8$$

$$8x = D - 32$$

$$x = \frac{D-32}{8} \text{ ----- (ii)}$$

From (i) and (ii) we get

$$D = 252$$

$$\text{And, } x = 27.5$$

$$\text{Required time} = \frac{252-64}{(27.5-4)} = 8 \text{ hours}$$

S42. Ans.(b)

Sol.

ATQ -

$$(x+3000) \times \frac{40}{100} - x \times \frac{60}{100} = 400$$

$$0.40x + 1200 - 0.60x = 400$$

$$0.20x = 800$$

$$x = 4000 \text{ Rs.}$$

S43. Ans.(c)

Sol.

Let present age of C = $4x$

So, present age of B = $4x \times \frac{75}{100} = 3x$

So, present age A = $3x \times \frac{60}{100} = 1.6x$

ATQ $(4x+3x) + 8 = 78$

$7x = 70$

$x = 10$

So, present age of A = $1.6 \times 10 \times 3 = 18 \text{ years}$

S44. Ans.(d)

Sol.

Profit share ratio of A, B and C respectively

= $5 \times 12 : 4 \times 4 : 6 \times 4$

= $15 : 4 : 6$

So, profit share of A = $2500 \times \frac{15}{(15+4+6)} = 1500 \text{ Rs.}$

S45. Ans.(e)

Sol.

Area of park = $300 \times 200 = 60000 \text{ m}^2$

Length of park including path = $300 + 2 \times 10 = 320 \text{ m}$

Breadth of park including path = $200 + 2 \times 10 = 220 \text{ m}$

Area of park including path = $320 \times 220 = 70400 \text{ m}^2$

Required difference = $70400 - 60000 = 10400 \text{ m}^2$

S46. Ans.(a)

Sol.

Let quantity of water in the vessel initially = x liters

So, quantity of milk in the vessel initially = $x + 6$ liters

ATQ -

$$\frac{x+6}{x} = \frac{3}{2}$$

$x = 12$

So, quantity of milk in the vessel initially = $12 + 6 = 18$ liters

Required milk remaining in the final mixture = $18 - (12+18) \times \frac{50}{100} \times \frac{3}{5}$

= $18 - 9 = 9$ liters

S47. Ans.(b)

Sol.

Total pages read by A and B in one hour = $\frac{88}{11} = 8$

Let efficiency of A = $5x$ pages/hour

So, efficiency of B = $5x \times \frac{60}{100} = 3x$ pages/hour

$5x + 3x = 8$

$x = 1$

Efficiency of C = $\frac{150}{10} - (5+3) = 7$ pages/hours

So, required time = $\frac{120}{(7+3)} = 12$ hours

S48. Ans.(e)

Sol.

Length of bridge = 1200 meter

$$\text{Speed of train} = \frac{600+1200}{90} = 20m/s = 20 \times \frac{18}{5} = 72 \text{ kmph}$$

$$\text{Speed of train X} = 72 + 6 = 78 \text{ kmph}$$

Let required length be L meter.

ATQ,

$$(600 + L) = 36 \times (72 + 78) \times \frac{5}{18}$$

$$600 + L = 1500$$

$$L = 900 \text{ meters}$$

S49. Ans.(e)

Sol.

A and B together fill the whole tank = 12 minutes

Let the capacity of tank be 60 units (LCM of 20 & 12)

$$\text{then, pipe A's efficiency} = \frac{60}{30} = 2 \text{ units/min}$$

$$\text{together pipe (A+ B)'s efficiency} = \frac{60}{12} = 5 \text{ units/min}$$

so, pipe B's efficiency = 3 units/min

Pipe B can fill 45 units i.e. $\frac{3}{4}$ th part of tank in 15 minutes.

S50. Ans.(b)

Sol.

Let the cost price and selling price of B be Rs x and Rs y respectively

CP of A=(x+600)

And SP of A=(y+1200)

$$\text{Difference of their profits}=(y + 1200 - x - 600) - (y - x) = 600$$

ATQ

$$(x + 600) \times \frac{40}{300} = 600$$

$$x = 3900$$

$$\text{Profit earned of B} = 4500 \times \frac{1}{3} - 600 = \text{Rs } 900$$

S51. Ans.(b)

Sol.

$$\text{Required sum} = (58+22) + (66 + 24) = 170$$

S52. Ans.(c)

Sol.

$$\text{Required Average} = \frac{45+55+58+66+36}{5} = 52$$

S53. Ans.(c)

Sol.

$$\text{Required percentage} = \frac{15}{55} \times 100\% = 27\frac{3}{11}\%$$

S54. Ans.(a)

Sol.

Selling price of crocs = Rs. 700

Number of crocs sold = 36

Revenue generated = $700 \times 36 = \text{Rs. } 2,52,00$

S55. Ans.(d)

Sol.

$$\text{Required ratio} = \frac{58+55}{15+24} = \frac{113}{39} = 113 : 39$$

S56. Ans.(d)

Sol.

$$?^2 = 59.96\% \text{ of } 899 + 14.89\% \text{ of } 1020 - \frac{7}{8} \text{ of } 288.02$$

$$?^2 = 60\% \text{ of } 900 + 15\% \text{ of } 1020 - \frac{7}{8} \text{ of } 288$$

$$?^2 = 540 + 153 - 252$$

$$?^2 = 441$$

$$? = 21$$

S57. Ans.(e)

Sol.

$$\frac{79.88\% \text{ of } 540 - 16.04^2}{7.88 \times 1.978} + 34.812 = ?$$

$$\frac{80\% \text{ of } 540 - 16^2}{8 \times 2} + 35 = ?$$

$$\frac{432 - 256}{16} + 35 = ?$$

$$46 = ?$$

S58. Ans.(d)

Sol.

$$\sqrt{1444.145} + 24.02^2 = ? - 4.02 \times 5.22$$

$$\sqrt{1444} + 24^2 = ? - 4 \times 5$$

$$38 + 576 = ? - 20$$

$$634 = ?$$

S59. Ans.(e)

Sol.

$$(11.15 \times 24.98 + 2.89 + 4.89) - 19.22 \times 49.88 = ?$$

$$(11 \times 25 + 3 + 5) - 19 \times 50 = ?$$

$$283 - 950 = ?$$

$$-667 = ?$$

S60. Ans.(a)

Sol.

$$1239.99 \div 7.87 - 29.78 \times 34.77 + 8.97^2 = ?$$

$$1240 \div 8 - 30 \times 35 + 9^2 = ?$$

$$155 - 1050 + 81 = ?$$

$$-814 = ?$$

S61. Ans.(b)

Sol.

$$14.022^2 + 9.02^3 = ? \times 24.88 + 200.12$$

$$14^2 + 9^3 = ? \times 25 + 200$$

$$196 + 729 - 200 = ? \times 25$$

$$29 = ?$$

S62. Ans.(a)

Sol.

Let three consecutive even numbers of X = x, x + 2 & x+4

And three consecutive odd numbers of Y = y, y + 2 & y + 4

ATQ -

$$\frac{x+2}{y+2} = \frac{2}{3}$$

$$x = \frac{2y-2}{3} \text{ ---(i)}$$

$$\text{Also, } x + y + 8 = 29$$

$$x + y = 21 \text{ ---- (ii)}$$

From (i) and (ii) we get

$$x = 8 \text{ \& } y = 13$$

$$\text{Required difference} = 13 - 8 = 5$$

S63. Ans.(b)

Sol.

$$\text{Saving of A} = 25000 \times \frac{28}{100} = \text{Rs. } 7000$$

$$\text{Expenditure of A} = 25000 - 7000 = \text{Rs. } 18000$$

$$\text{New expenditure of A} = 18000 \times \frac{65}{100} = \text{Rs. } 11700$$

$$\text{New saving of A} = 25000 - 11700 = \text{Rs. } 13300$$

$$\text{Required ratio} = 13300 : 7000 = 19 : 10$$

S64. Ans.(b)

Sol.

Ratio of speed of car and speed of scooter = 7 : 5

$$\text{Speed of truck} = \frac{240}{5} = 48 \text{ km/hr}$$

$$\text{Speed of scooter} = 48 \times \frac{3}{2} = 72 \text{ km/hr}$$

$$\text{Speed of car} = 72 \times \frac{7}{5} = 100.8 \text{ km/hr}$$

$$\text{Distance cover by car in 2 hours} = 100.8 \times 2 = 201.6 \text{ km}$$

S65. Ans.(a)

Sol.

Wrong number = 2306

Pattern of series -

Addition of square of consecutive prime numbers

$$400 + 17^2 = 689$$

$$689 + 19^2 = 1050$$

$$1050 + 23^2 = 1579$$

$$1579 + 29^2 = \mathbf{2420}$$

$$2420 + 31^2 = 3381$$

$$3381 + 37^2 = 4750$$

S66. Ans.(b)

Sol.

Wrong number = 18

Pattern of series -

$$6 \times 1 = 6$$

$$6 \times 2 = \mathbf{12}$$

$$12 \times 3 = 36$$

$$36 \times 4 = 144$$

$$144 \times 5 = 720$$

$$720 \times 6 = 4320$$

S67. Ans.(c)

Sol.

Wrong number = 115

Pattern of series -

$$42 + 5 = 47$$

$$47 + 10 = 57$$

$$57 + 15 = 72$$

$$72 + 20 = 92$$

$$92 + 25 = \mathbf{117}$$

$$117 + 30 = 147$$

S68. Ans.(d)

Sol.

Wrong number = 236

Pattern of series -

$$14 + 2^3 = 22$$

$$22 + 3^3 = 49$$

$$49 + 4^3 = 113$$

$$113 + 5^3 = \mathbf{238}$$

$$238 + 6^3 = 454$$

$$454 + 7^3 = 797$$

S69. Ans.(e)

Sol.

Wrong number = 398

Pattern of series -

$$24 \times 2 + 1 = 49$$

$$49 \times 2 + 1 = 99$$

$$99 \times 2 + 1 = 199$$

$$199 \times 2 + 1 = \mathbf{399}$$

$$399 \times 2 + 1 = 799$$

$$799 \times 2 + 1 = 1599$$

S70. Ans.(a)

Sol.

Wrong number = 45

Pattern of series -

Addition of consecutive prime number

$$5 + 3 = 8$$

$$8 + 5 = 13$$

$$13 + 7 = 20$$

$$20 + 11 = 31$$

$$31 + 13 = \mathbf{44}$$

$$44 + 17 = 61$$

S71. Ans.(e)

Sol. After reading the fourth line of the first paragraph thoroughly, we can infer that all of the given statements are correct with reference to the context of the given question. Machine learning algorithms are designed to learn from large amounts of data and identify patterns and insights that may not be immediately apparent to humans. By analyzing this data, the algorithms can identify patterns and make predictions about the health and yield of crops. Overall, machine learning algorithms offer a powerful tool for agricultural decision-making, allowing farmers to make more informed decisions and improve the productivity and sustainability of their operations.

S72. Ans.(d)

Sol. After reading the second paragraph thoroughly, we can infer that only statements (b) and (c) are correct with reference to the context of the given question. While statements (a) and (e) are incoherent. AI can help farmers optimize their use of resources like water, fertilizer, and pesticides by providing real-time analysis of environmental and crop data. By analyzing data from sensors and other sources, AI-powered systems can provide data-driven insights and recommendations for when and how to apply water, fertilizer, and pesticides. However, the effectiveness of AI in resource optimization depends on the availability and accuracy of data, as well as the decision-making abilities of the farmer.

S73. Ans.(e)

Sol. After reading the first paragraph thoroughly, we can infer that only statements (i) and (iii) are correct with reference to the context of precision agriculture and how it benefits farmers. While statement (ii) is incorrect as by freeing up human labor and improving efficiency by automating tasks like planting and monitoring crops, precision agriculture can cause farmers to reduce labor costs.

S74. Ans.(d)

Sol. After reading the concluding lines of the second paragraph thoroughly, we can infer that both (a) and (b) are correct. While statement (c) is incorrect as AI does not make complex interactions between genes and the environment prone to diseases. Instead, AI can help researchers better understand the complex interactions between genes and the environment, leading to more targeted and effective breeding strategies.

S75. Ans.(d)

Sol. The most appropriate antonym of the word “pressing” is trivial. "Pressing" means urgent, important, or needing immediate attention. When something is pressing, it requires immediate action or response because it is time-sensitive and cannot be delayed.

- (a) Critical: relating to or involving a crucial point or decision that is essential to the success or failure of something.
- (b) Pivotal: of crucial importance in relation to the development or success of something else.
- (c) Drastic: likely to have a strong or far-reaching effect; radical and extreme.
- (d) Trivial: of little value or importance.
- (e) Imperative: of vital importance; crucial.

S76. Ans.(c)

Sol. The most appropriate synonym of the word “accessible” is convenient. "Accessible" means that something is easily reached or entered. When something is accessible, it is available and can be easily used, reached, or approached. For example, in the context of the agriculture industry, AI-powered systems can help optimize the distribution of food products to make them more accessible to consumers.

- (a) Desperate - means feeling a sense of despair or hopelessness, often due to a difficult situation or circumstance.
- (b) Obscure - means unclear or not easily understood, often due to a lack of information or knowledge.
- (c) Convenient - means easily accessible or suitable for a particular purpose.
- (d) Dubious - means doubtful or uncertain, often due to a lack of evidence or credibility.
- (e) Vague - means unclear or uncertain, often due to a lack of detail or specificity.

S77. Ans.(b)

Sol. The most appropriate synonym of the word “modern” is advanced. "Modern" means belonging to the present or recent times as opposed to the remote past. When something is modern, it refers to the latest technology or approaches that are up-to-date, new or current.

- (a) Bygone refers to something that belongs to an earlier time or has become outdated.
- (b) Advanced refers to something that is highly developed; modern and recently developed.
- (c) Tedious refers to something that is boring or tiresome due to its length or complexity.
- (d) Ridiculous refers to something that is absurd or illogical.
- (e) Primitive refers to something that is basic or undeveloped.

S78. Ans.(d)

Sol. After analyzing the given passage thoroughly, we can infer that all of the given statements are correct with reference to the context of the given question. Integrating AI in agriculture can potentially increase yields, reduce waste, improve efficiency, optimize resource use, reduce environmental impact, improve crop varieties, and enhance supply chain management.

S79. Ans.(e)

Sol. After reading the mid-lines of the third paragraph thoroughly, we can infer that only (a) and (c) are correct with reference to the context of the given question. While statement (b) is incorrect because increasing and optimizing are related concepts, but they have slightly different meanings. "Increasing" generally means making something larger or more numerous. "Optimizing" generally means making something as effective or efficient as possible.

S80. Ans.(c)

Sol. Precision generally refers to the degree of exactness or accuracy in measurement, calculation, or specification. Thus, only option (c) gives the correct meaning of the given term.

S81. Ans.(b)

Sol. "Siblings" is the incorrectly spelt word in the sentence and the correct spelling of the word is "siblins". "Sibling" means "a brother or a sister".

S82. Ans.(a)

Sol. "Congratulasions" is the incorrectly spelt word in the sentence and the correct spelling of the word is "congratulations". "Congratulations" is used for expressing one's praise for an achievement or good wishes on a special occasion.

S83. Ans.(e)

Sol. No words are spelt incorrectly in the sentence. Thus, option (e) is the answer.

S84. Ans.(c)

Sol. "Photogrephy" is the incorrectly spelt word in the sentence and the correct spelling of the word is "photography". "Photography" is defined as "the skill or process of taking photographs".

S85. Ans.(a)

Sol. "Resent" is the incorrectly spelt word in the sentence and the correct spelling of the word is "recent". "Recent" is defined as "something that happened or began only a short time ago".

S86. Ans.(b)

Sol. By going through given passage, it is clear that the passage is about the profitability aspects of renewables and in contrast to the popular opinion, the social and environmental harms the renewables posse. Here, sentence (D) says the same, i.e., the business aspect of renewable energy, thus setting the premise on which other sentences are based and needed to be rearranged. The next sentence should be statement (F) which establishes the fact mentioned in the first statement. Sentence (B) initiated the opposite opinion which is then further analyzed in the letter sentences. Sentence (E) and sentence (A) should be next in line respectively, as they provide more details about the same. The passage is then concluded by statement (C), which is in continuation with its previous statement. Thus, the correct rearrangement is DFBEAC.

S87. Ans.(c)

Sol. By going through given passage, it is clear that the passage is about the profitability aspects of renewables and in contrast to the popular opinion, the social and environmental harms the renewables posse. Here, sentence (D) says the same, i.e., the business aspect of renewable energy, thus setting the premise on which other sentences are based and needed to be rearranged. The next sentence should be statement (F) which establishes the fact mentioned in the first statement. Sentence (B) initiated the opposite opinion which is then further analyzed in the letter sentences. Sentence (E) and sentence (A) should be next in line respectively, as they provide more details about the same. The passage is then concluded by statement (C), which is in continuation with its previous statement.

Thus, the correct rearrangement is DFBEAC.

S88. Ans.(a)

Sol. By going through given passage, it is clear that the passage is about the profitability aspects of renewables and in contrast to the popular opinion, the social and environmental harms the renewables posse. Here, sentence (D) says the same, i.e., the business aspect of renewable energy, thus setting the premise on which other sentences are based and needed to be rearranged. The next sentence should be statement (F) which establishes the fact mentioned in the first statement. Sentence (B) initiated the opposite opinion which is then further analyzed in the letter sentences. Sentence (E) and sentence (A) should be next in line respectively, as they provide more details about the same. The passage is then concluded by statement (C), which is in continuation with its previous statement.

Thus, the correct rearrangement is DFBEAC.

S89. Ans.(e)

Sol. By going through given passage, it is clear that the passage is about the profitability aspects of renewables and in contrast to the popular opinion, the social and environmental harms the renewables posse. Here, sentence (D) says the same, i.e., the business aspect of renewable energy, thus setting the premise on which other sentences are based and needed to be rearranged. The next sentence should be statement (F) which establishes the fact mentioned in the first statement. Sentence (B) initiated the opposite opinion which is then further analyzed in the letter sentences. Sentence (E) and sentence (A) should be next in line respectively, as they provide more details about the same. The passage is then concluded by statement (C), which is in continuation with its previous statement.

Thus, the correct rearrangement is DFBEAC.

S90. Ans.(c)

Sol. By going through given passage, it is clear that the passage is about the profitability aspects of renewables and in contrast to the popular opinion, the social and environmental harms the renewables posse. Here, sentence (D) says the same, i.e., the business aspect of renewable energy, thus setting the premise on which other sentences are based and needed to be rearranged. The next sentence should be statement (F) which establishes the fact mentioned in the first statement. Sentence (B) initiated the opposite opinion which is then further analyzed in the letter sentences. Sentence (E) and sentence (A) should be next in line respectively, as they provide more details about the same. The passage is then concluded by statement (C), which is in continuation with its previous statement.

Thus, the correct rearrangement is DFBEAC.

S91. Ans.(a)

Sol. The definitions of the words given by the options are given below for reference.

lurch – make an abrupt, unsteady, uncontrolled movement or series of movements; stagger

alert – warn (someone) of a danger or problem

collect – bring or gather together (a number of things)

detect – discover or identify the presence or existence of

pretend – behave so as to make it appear that something is the case when in fact it is not

S92. Ans.(c)

Sol. The definitions of the words given by the options are given below for reference.

present – give or award formally or ceremonially

obey – submit to the authority of (someone) or comply with (a law)

sanction – official permission or approval for an action

label – attach a label to (something)

“Nod” cannot be used as the required phrase in context would be “give the nod”. “Give someone the nod” means to “to give someone approval”. “Nod” by itself is a physical action of the head.

S93. Ans.(b)

Sol. The definitions of the words given in the options are given below for reference.

intend – have (a course of action) as one's purpose or intention; plan

believe – accept that (something) is true, especially without proof

exist – have objective reality or being

include – comprise or contain as part of a whole

muddle – bring into a disordered or confusing state

S94. Ans.(b)

Sol. Here, only “cynical” can be used because only “cynical of” is the correct collocation among the ones from the given options.

The definitions of the words given by the options are given below for further reference.

brave – ready to face and endure danger or pain; showing courage

cynical – having or showing the attitude or temper of a cynic: such as - distrustful of human sincerity or integrity

honourable – bringing or deserving honour

irritable – having or showing a tendency to be easily annoyed

jumbled – mix up in a confused or untidy way

S95. Ans.(d)

Sol. The definitions of the words given by the options are given below for reference.

succeed – achieve the desired aim or result

mark – make a visible impression or stain on

separate – cause to move or be apart

bolster – support or strengthen

scatter – throw in various random directions

S96. Ans.(a)

Sol. In part (A), 'him' should be replaced with 'he' because after 'to be' form we use subjective case pronouns (I/ we/ she/ he/ they/ you/it/one) only.

S97. Ans.(c)

Sol. The error lies in part (C). To modify adjective 'attractive' we need an adverb because only an adverb modifies an adjective hence 'increasing' should be replaced with 'increasingly'.

Note- An adverb is a part of speech that modifies a verb, an adjective, and another adverb. When modifying an adjective, an adverb can answer questions regarding the extent to which an adjective describes a noun.

S98. Ans.(c)

Sol. The error is in part (C). 'Although' is a subordinating conjunction and 'but' is a coordinating conjunction and they never be used together in a sentence.

S99. Ans.(a)

Sol. The error is in part (A). In part (A), 'most' should be replaced with 'more' as we need comparative adjective here.

S100. Ans.(d)

Sol. The error is in part (D). Here, verb 'plays' should be in plural form for plural noun 'carotenoids'.

